

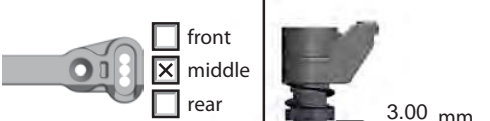
Name: Devin Chesney

Date:

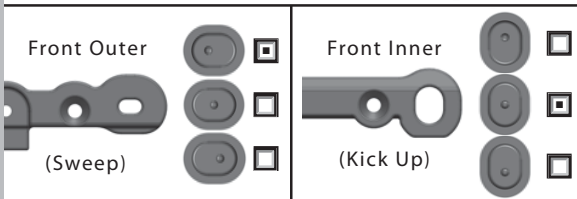
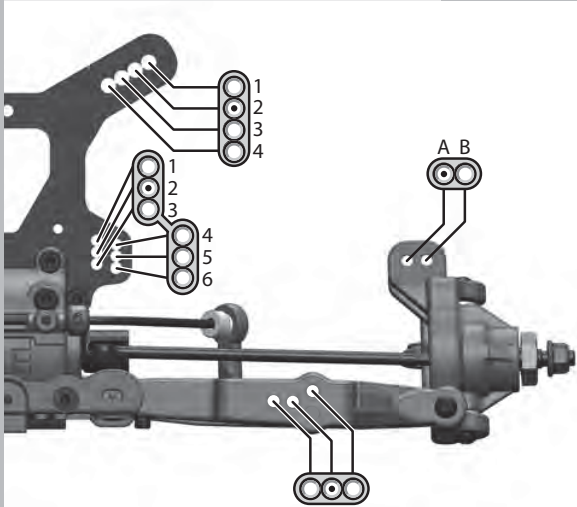
Event: 13th Annual R.A.C @ McCulloughs

Track Conditions: Outdoor Indoor Wet Dry High Bite Low Bite
 Rough Smooth Hard Packed Loose/Loamy Blue Groove

Bumpsteer/Ackerman/Servo Saver:



Front End:

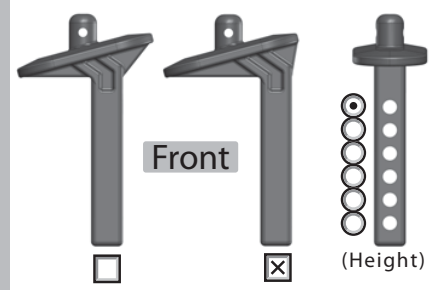


Suspension:

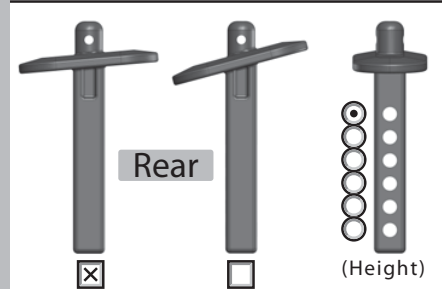
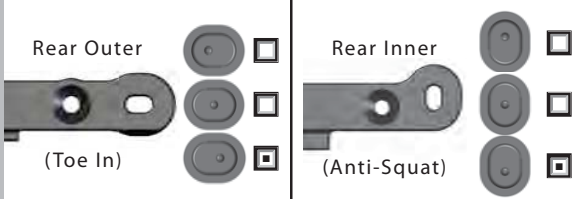
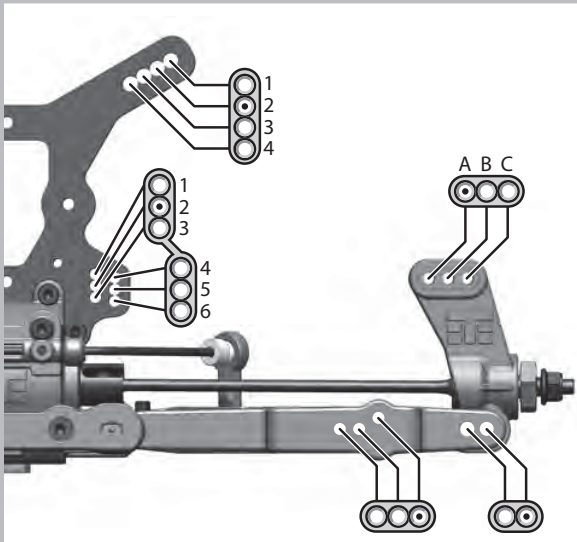
	FRONT	REAR
RIDE HEIGHT	27	27
CAMBER	-2	-2
TOE (in/out)	1 out	2 in
SWAY BAR	2.3	2.4
SHOCK LENGTH (DROOP)	102	121

Body/Mounts:

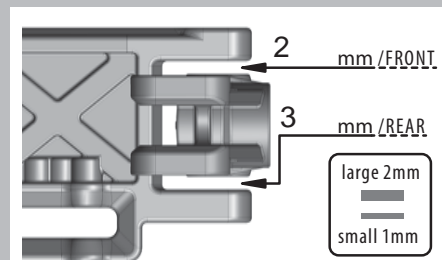
BODY MAKE	proline evo
-----------	-------------



Rear End:



Wheelbase:



Notes:

- Derlin Shock Cartridge Set
- Aluminum Hexes
- LCG Motor Mount

Shocks:

	FRONT	REAR
OIL	35	25
PISTON	10x1.2	10x1.2
SPRING	pink	pink
REBOUND	0 %	0 %
STD/EMUL/VENT	std	std

Tires / Wheels:

	FRONT	REAR
BRAND/TREAD	PL Stunner	PL Stunner
COMPOUND	M3	M3
INSERT	Blue	Blue
WHEEL	PL F-11	PL F-11

NOTES:

Differential Oil:

FRONT	CENTER	REAR
7	5	3

Electronics:

ESC:	Tekin RX8 Gen 2
Battery:	Venom
Motor:	Tekin Pro 4 4600 kv
Radio:	Futaba 4PL
Servo:	Savox

Drivetrain:

SPUR GEAR	Metal <input type="checkbox"/> Composite <input checked="" type="checkbox"/>
Traktion Drive	<input type="checkbox"/> Elektri-Clutch <input type="checkbox"/> Pinion <input checked="" type="checkbox"/>
PINION SIZE	15 (teeth)
Mechanical Brakes	<input type="checkbox"/> Motor Brakes <input checked="" type="checkbox"/>

Chassis Braces:

Front <input checked="" type="checkbox"/>	Middle <input checked="" type="checkbox"/>	Rear <input type="checkbox"/>
(front brace is always recommended)		