

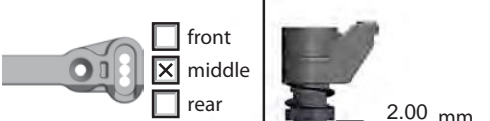
Name: Rudy Rico

Date:

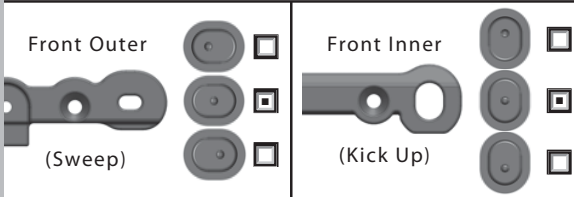
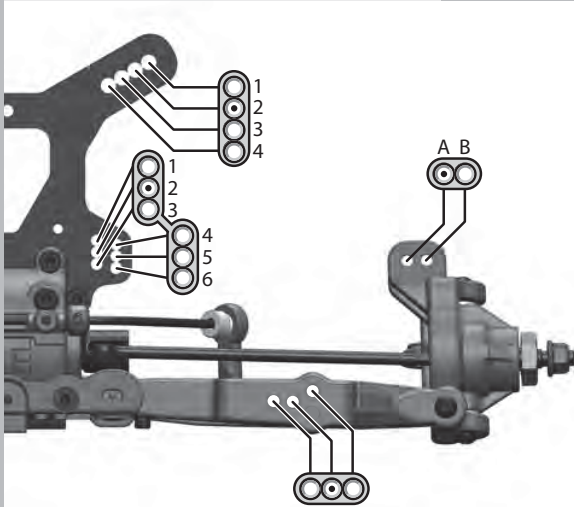
Event: surf city classic

Track Conditions: Outdoor  Indoor  Wet  Dry  High Bite  Low Bite   
 Rough  Smooth  Hard Packed  Loose/Loamy  Blue Groove

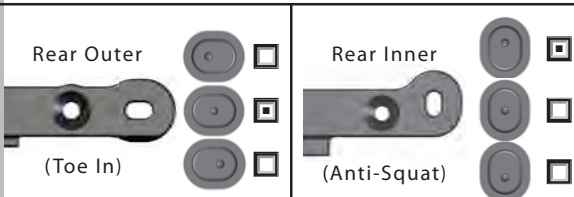
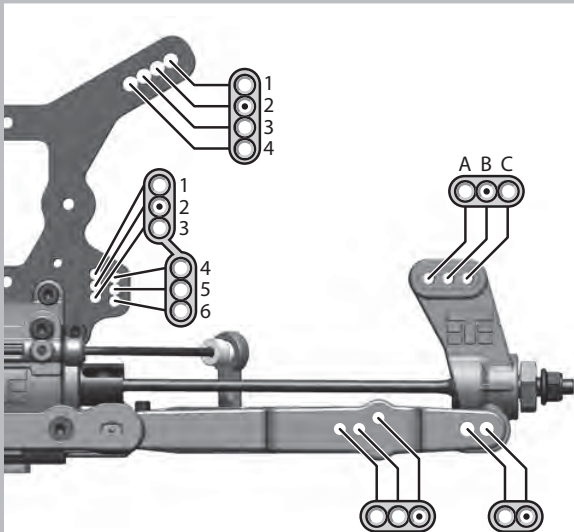
**Bumpsteer/Ackerman/Servo Saver:**



**Front End:**



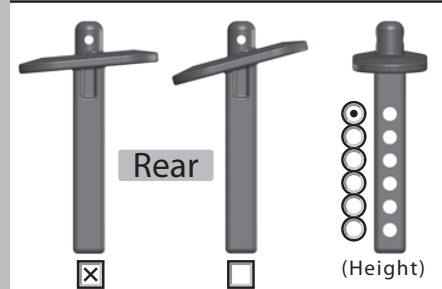
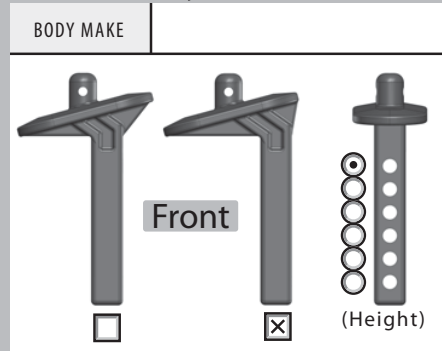
**Rear End:**



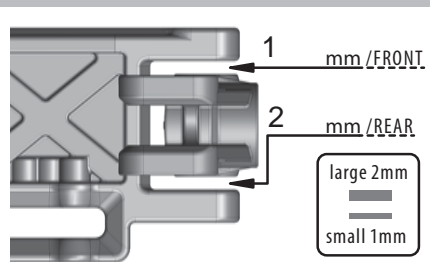
**Suspension:**

	FRONT	REAR
RIDE HEIGHT	23	23
CAMBER	1 1/2	2
TOE (in/out)	2	1
SWAY BAR	2.4	2.3
SHOCK LENGTH (DROOP)	2mm	2mm

**Body/Mounts:**



**Wheelbase:**



**Notes:**

Alluminum screw kit,  
lightened ball cups

**Shocks:**

	FRONT	REAR
OIL	37 1/2	35
PISTON	10/1.2	10/1.2
SPRING	green	pink
REBOUND	10 %	10 %
STD/EMUL/VENT	bladder	bladder

**Tires / Wheels:**

	FRONT	REAR
BRAND/TREAD	AKA typos	AKA typos
COMPOUND	clay	clay
INSERT	fluffed	fluffed
WHEEL	AKA	AKA

NOTES:

**Differential Oil:**

FRONT	CENTER	REAR
7000	7000	5000

**Electronics:**

ESC:	Tekin Rx8
Battery:	Reedy 7000mah 60c
Motor:	Reedy 4800kv
Radio:	Airtronics M12
Servo:	KO PROPO

**Drivetrain:**

SPUR GEAR	Metal <input type="checkbox"/> Composite <input checked="" type="checkbox"/>
Traktion Drive	<input type="checkbox"/> Elektri-Clutch <input type="checkbox"/> Pinion <input checked="" type="checkbox"/>
PINION SIZE	15 (teeth)
Mechanical Brakes	<input type="checkbox"/> Motor Brakes <input checked="" type="checkbox"/>

**Chassis Braces:**

Front <input checked="" type="checkbox"/>	Middle <input type="checkbox"/>	Rear <input type="checkbox"/>
(front brace is always recommended)		