

Name: Randy C


Date:

Event: King of Kings Stateline RC

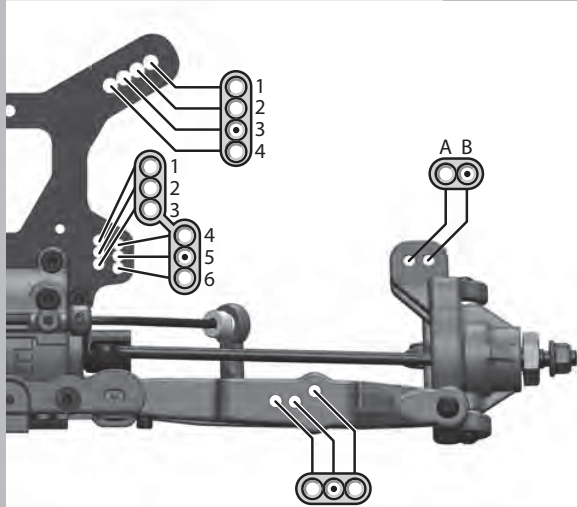
Track Conditions: Outdoor Indoor Wet Dry High Bite Low Bite
 Rough Smooth Hard Packed Loose/Loamy Blue Groove

Bumpsteer/Ackerman/Servo Saver:

washers over over under # washers over under # washers

front middle rear 

Front End:



Front Outer (Sweep) Front Inner (Kick Up)

Suspension:

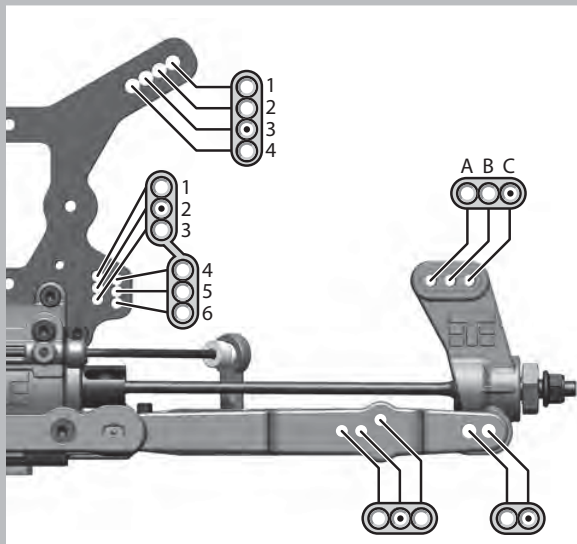
	FRONT	REAR
RIDE HEIGHT	28	26.5
CAMBER	1.2	2.5
TOE (in/out)	2 out	3.5 lrc
SWAY BAR	2.5mm	2.4mm
SHOCK LENGTH (DROOP)	106.3mm	123.5mm

Body/Mounts:

BODY MAKE TLR precut

Front (Height)

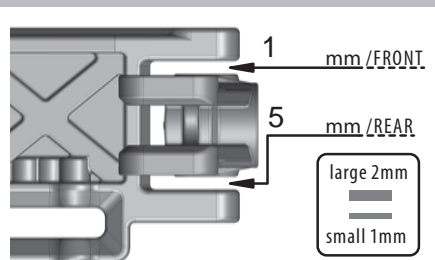
Rear End:



Rear Outer (Toe In) Rear Inner (Anti-Squat)

Rear (Height)

Wheelbase:



Notes:

2dot down anti-squat, BMI lrc in+1.5 D plate all aluminum/TI screws/nuts + light Tekno parts (all)
 3/4oz lead between steering posts 1oz behind rear diff sanded rear hubs 1mm for extra spacer front chassis brace 1 screw
 track was clay sand mix square edge holes some blue groove fast 180/90* mix1 big jump 1 rhythm section

Shocks:

	FRONT	REAR
OIL	AE 30	AE22.5
PISTON	10x1.3	10x1.3
SPRING	black	pink
REBOUND	5 %	5 %
STD/EMUL/VENT	Vent/ bladder	vent/bladder

Tires / Wheels:

	FRONT	REAR
BRAND/TREAD	blockades	
COMPOUND	M3 /M4	
INSERT	Proline	
WHEEL	DE	

NOTES: m3 day /m4 night

Differential Oil:

FRONT	CENTER	REAR
AE 5k	AE 7k	AE 2K

Electronics:

ESC: Gen2

Battery: trakpower 90c 7200

Motor: HW 4700kv

Radio: MT4s

Servo: JR 9100HVS

Drivetrain:

SPUR GEAR Metal Composite

Traktion Drive Elektri-Clutch Pinion

PINION SIZE 16 (teeth)

Mechanical Brakes Motor Brakes

Chassis Braces:

Front Middle Rear
 (front brace is always recommended)