

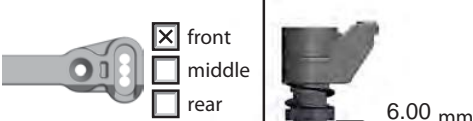
Name: Josh Bertrand

Date:

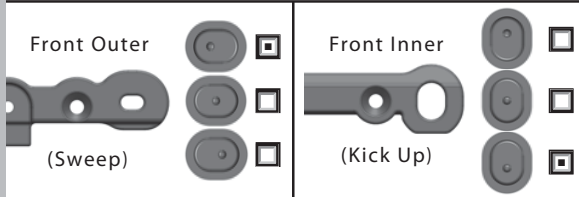
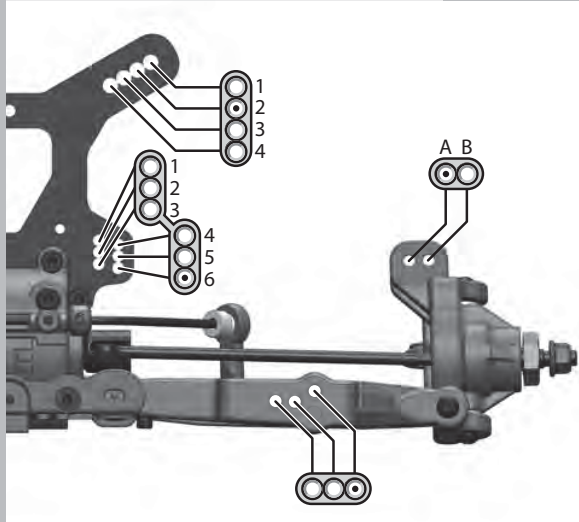
Event: SDRC

Track Conditions: Outdoor Indoor Wet Dry High Bite Low Bite
 Rough Smooth Hard Packed Loose/Loamy Blue Groove

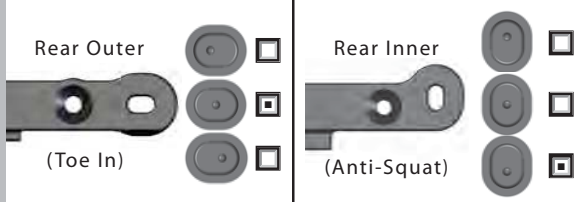
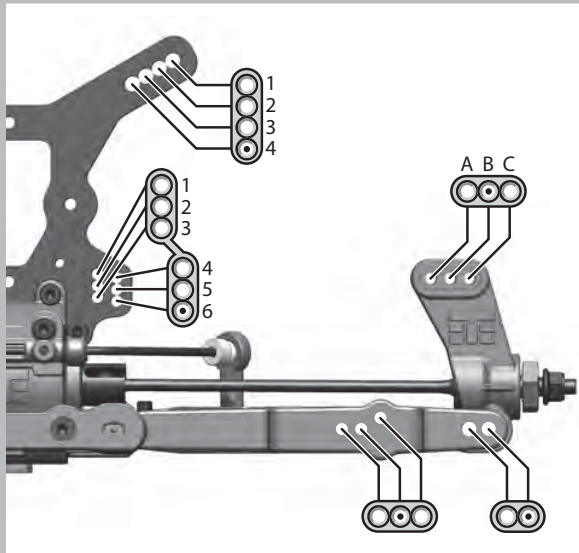
Bumpsteer/Ackerman/Servo Saver:



Front End:



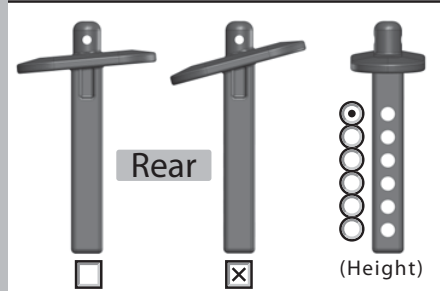
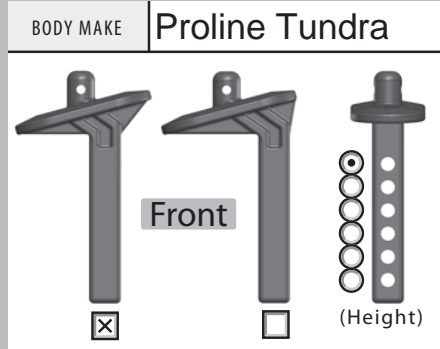
Rear End:



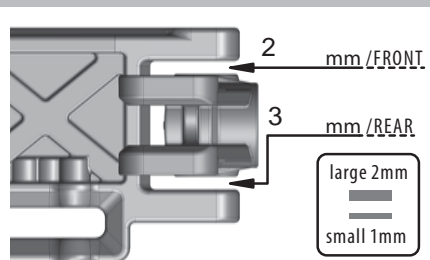
Suspension:

| | FRONT | REAR |
|----------------------|--------------|------|
| RIDE HEIGHT | 25 | 24 |
| CAMBER | -1 | -1 |
| TOE (in/out) | Out 1 degree | 2.5 |
| SWAY BAR | 2.4 | 2.4 |
| SHOCK LENGTH (DROOP) | 102 | 118 |

Body/Mounts:



Wheelbase:



Shocks:

| | FRONT | REAR |
|---------------|-------|--------|
| OIL | 37.5 | 32.5 |
| PISTON | 8x1.4 | 8x1.4 |
| SPRING | Green | Yellow |
| REBOUND | 10% % | 10% % |
| STD/EMUL/VENT | STD | STD |

Tires / Wheels:

| | FRONT | REAR |
|-------------|---------------|---------------|
| BRAND/TREAD | AKA wishbones | AKA wishbones |
| COMPOUND | Super soft | Super soft |
| INSERT | Red AKA | Red AKA |
| WHEEL | AKA | AKA |

NOTES: Tires are worn down and use WD-40 for sauce

Differential Oil:

| FRONT | CENTER | REAR |
|-------|--------|------|
| 7 | 7 | 5 |

Electronics:

| | |
|----------|-------------------|
| ESC: | Tekin RX8 gen2 |
| Battery: | Reedy 6500 |
| Motor: | Tekin pro4HD 4300 |
| Radio: | MT4 |
| Servo: | Hi-tec 7955 |

Drivetrain:

| | |
|-------------------|---|
| SPUR GEAR | Metal <input type="checkbox"/> Composite <input checked="" type="checkbox"/> |
| Traktion Drive | <input type="checkbox"/> Elektri-Clutch <input type="checkbox"/> Pinion <input checked="" type="checkbox"/> |
| PINION SIZE | 16 (teeth) |
| Mechanical Brakes | <input type="checkbox"/> Motor Brakes <input checked="" type="checkbox"/> |

Chassis Braces:

| | | |
|---|---------------------------------|-------------------------------|
| Front <input checked="" type="checkbox"/> | Middle <input type="checkbox"/> | Rear <input type="checkbox"/> |
| (front brace is always recommended) | | |

Notes:

Tekno carbon fiber front and rear towers, Tekno shock pistons.