

Name: \_\_\_\_\_ Date: \_\_\_\_\_ Event: \_\_\_\_\_


Track Conditions: Outdoor  Indoor  Wet  Dry  High Bite  Low Bite   
 Rough  Smooth  Hard Packed  Loose/Loamy  Blue Groove

### Bumpsteer/Ackerman/Servo Saver:

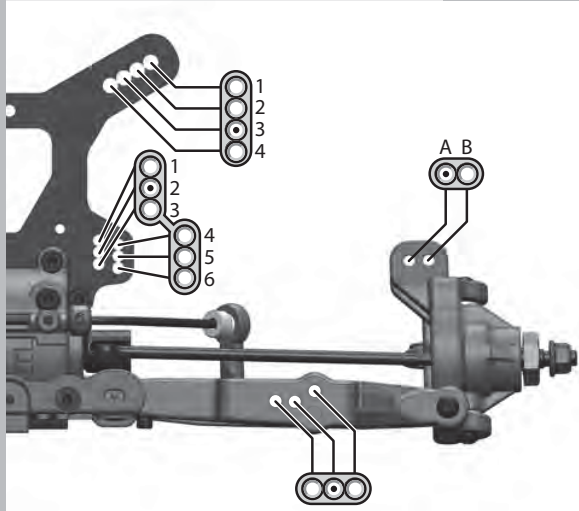
# washers over:  # washers under:

# washers over:  # washers under:

front  middle  rear



### Front End:



Front Outer (Sweep)

Front Inner (Kick Up)

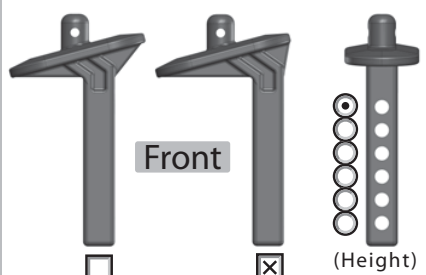
### Suspension:

	FRONT	REAR
RIDE HEIGHT	25	25
CAMBER	-1	-2
TOE (in/out)	+1	-4.5
SWAY BAR	2.4	2.2
SHOCK LENGTH (DROOP)	102	119

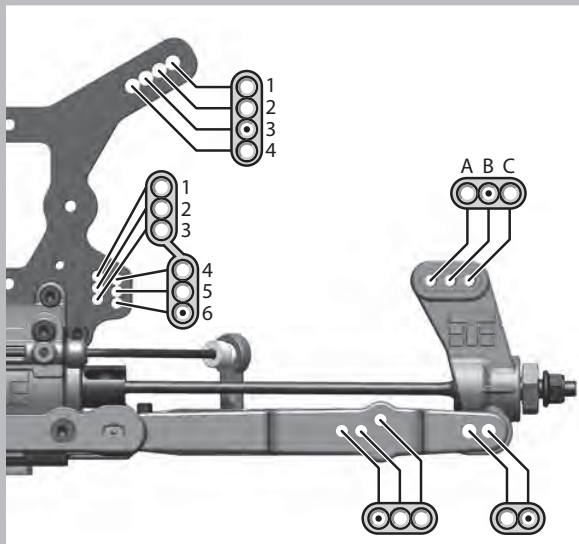
### Body/Mounts:

BODY MAKE: **Proline Flotec**

Front   (Height)



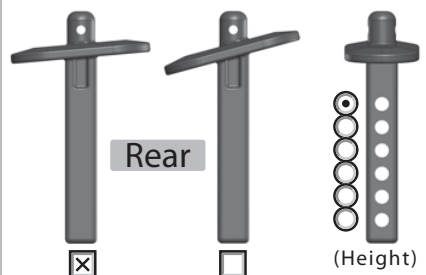
### Rear End:



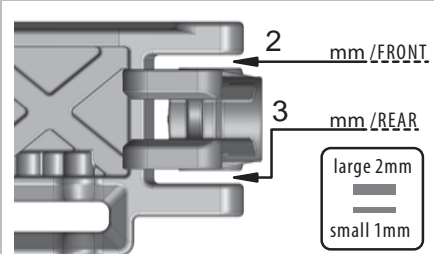
Rear Outer (Toe In)

Rear Inner (Anti-Squat)

Rear   (Height)



### Wheelbase:



### Notes:

80% Current Limiter, 7.4v BEC, ST Dual Rate 90%, ST Expo -20%  
 Rear battery mod 5mm from spur, no rear bumper, lightened screws, light outrives  
 alum drive shaft, all aluminum hinge pin braces, 10 push control if nosing down or rear loose

### Shocks:

	FRONT	REAR
OIL	35	27.5
PISTON	Tekno 8x1.4	Tekno 8x1.4
SPRING	Green	Orange
REBOUND	0 %	0 %
STD/EMUL/VENT	Alum Cap Vent	Alum Cap Vent

### Tires / Wheels:

	FRONT	REAR
BRAND/TREAD	Blockade	Blockade
COMPOUND	M3	M3
INSERT	Blue	Blue
WHEEL	Protrac F-11	Protrac F-11

NOTES: Vent in rim not tire

### Differential Oil:

FRONT	CENTER	REAR
7	7	5

### Electronics:

ESC: **Tekin RX8 Gen2**

Battery: **SMC 2s 7200 70c**

Motor: **Tekin Pro2 5100**

Radio: **Airtronics m12**

Servo: **Hitec 7955**

### Drivetrain:

SPUR GEAR Metal  Composite

Traktion Drive  Elektri-Clutch  Pinion

PINION SIZE 15 (teeth)

Mechanical Brakes  Motor Brakes

### Chassis Braces:

Front  Middle  Rear   
 (front brace is always recommended)