

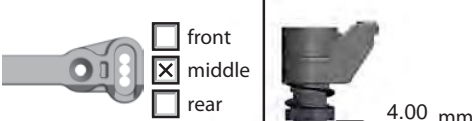
Name: SCT410 - Matt

Date:

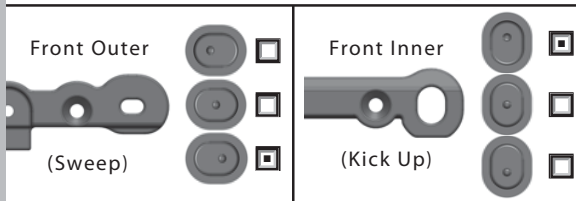
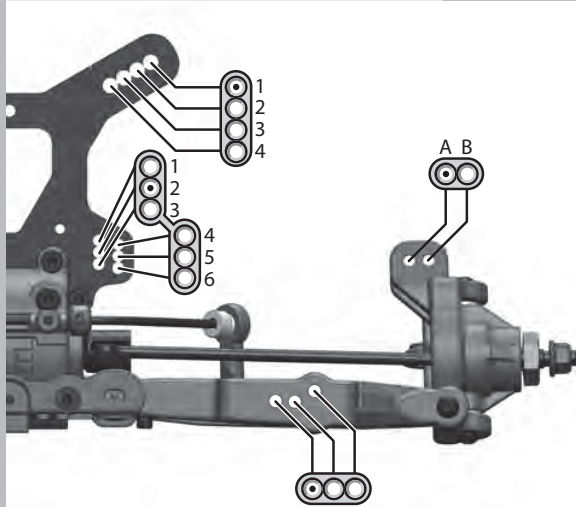
Event: CVRC Hitec Rd 6

Track Conditions: Outdoor Indoor Wet Dry High Bite Low Bite
 Rough Smooth Hard Packed Loose/Loamy Blue Groove

Bumpsteer/Ackerman/Servo Saver:



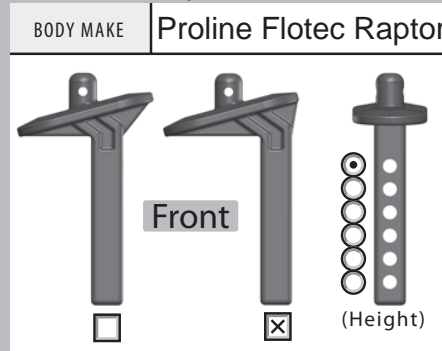
Front End:



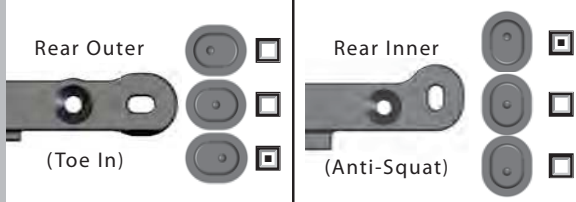
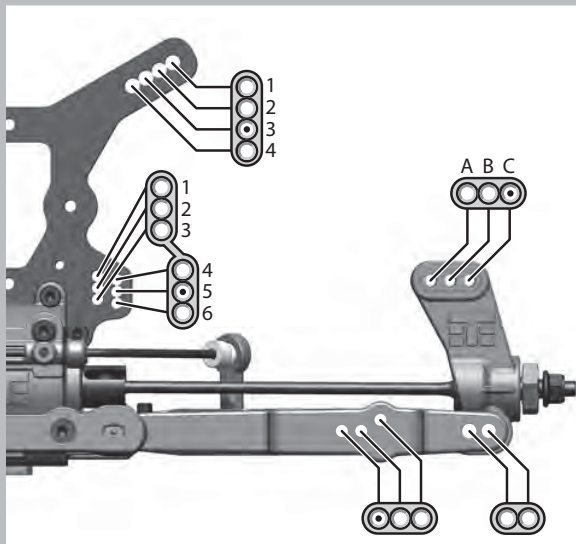
Suspension:

	FRONT	REAR
RIDE HEIGHT	24	24
CAMBER	-1	-1
TOE (in/out)	2 out	4.5 in
SWAY BAR	2.4	2.6
SHOCK LENGTH (DROOP)	101	117

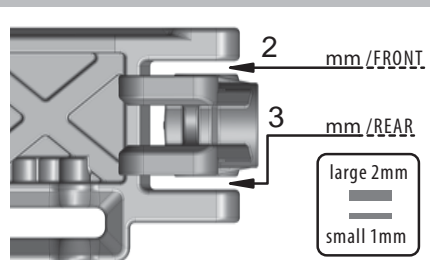
Body/Mounts:



Rear End:



Wheelbase:



Notes:

No rear bumper, -65 strng expo, 10% drag brake, 50% esc brakes, 70% brake dual rate, direct lipo ro rx, lightened screw kit
 Track was hard packed with loose on top

Shocks:

	FRONT	REAR
OIL	30	25
PISTON	1.2	1.2
SPRING	white	pink
REBOUND	100 %	100 %
STD/EMUL/VENT	std	std

Tires / Wheels:

	FRONT	REAR
BRAND/TREAD	Proline Tazer	same
COMPOUND	soft	same
INSERT	blue	same
WHEEL	F-11 SCTE	same

NOTES:

Differential Oil:

FRONT	CENTER	REAR
7	7	3

Electronics:

ESC:	Tekin RX8
Battery:	ProTek RC
Motor:	Tekin 4600kv
Radio:	Airtronics MT4
Servo:	Hitec 7955

Drivetrain:

SPUR GEAR	Metal <input type="checkbox"/> Composite <input checked="" type="checkbox"/>
Traktion Drive	<input type="checkbox"/> Elektri-Clutch <input type="checkbox"/> Pinion <input checked="" type="checkbox"/>
PINION SIZE	16 (teeth)
Mechanical Brakes	<input type="checkbox"/> Motor Brakes <input checked="" type="checkbox"/>

Chassis Braces:

Front <input checked="" type="checkbox"/> Middle <input type="checkbox"/> Rear <input type="checkbox"/>
(front brace is always recommended)