




Name: Jeff Beck

Date: 8-23-2014

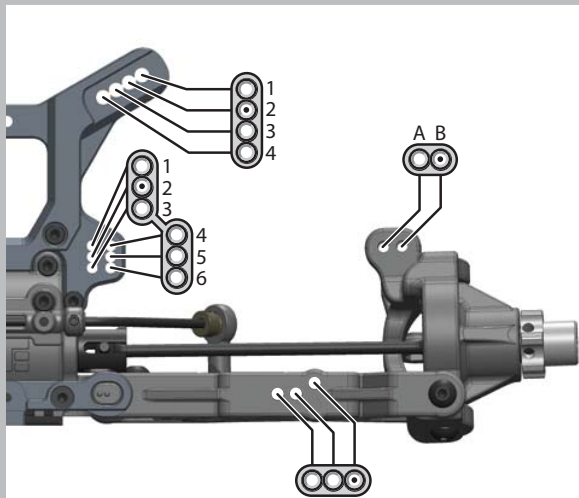
Event/Track: Medina RC Raceway Club

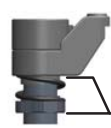
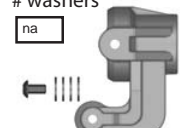
Track Conditions: Outdoor Indoor Wet Dry High Bite Low Bite Rough
 Smooth Hard Packed Loose/Loamy Blue Groove

Bumpsteer/Ackerman/Servo Saver/Steering Stop:

| | | |
|---|--|--|
|  <p># washers <input type="text" value="4"/> over <input type="text" value="0"/> under ballstud <input type="checkbox"/></p> |  <p># washers <input type="text" value="4"/> over <input type="text" value="0"/> under ballstud <input type="checkbox"/></p> |  <p><input type="checkbox"/> front <input type="checkbox"/> middle <input checked="" type="checkbox"/> rear</p> |
|---|--|--|

Front End:



| | |
|--|--|
|  <p># of turns from fully tightened tight</p> |  <p># washers <input type="text" value="na"/></p> |
|--|--|

Suspension:

| | FRONT | REAR |
|-----------------------|---------|----------|
| RIDE HEIGHT: | 27 | 27 |
| TOE (in/out): | 0 | see pill |
| CAMBER: | -2 | -2 |
| CASTER: | 10 Deg° | |
| SHOCK LENGTH (DROOP): | 106 | 122 |
| SWAY BAR: | 2.4 | 2.6 |

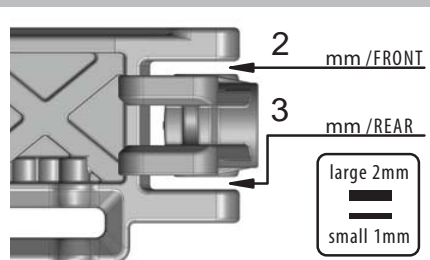
NOTES:

Body/Wing:

| | |
|-------|-------|
| BODY: | stock |
| WING: | stock |

(DOWNFORCE POSITION)

Wheelbase:



Notes:

LRC RR Hinge pin brace, Delrin cartridge set, TiNi shock shafts.

Shocks:

| | FRONT | REAR |
|----------------|--------|--------|
| STD/EMUL/VENT: | VENT | VENT |
| PISTON: | 6x1.5 | 6x1.5 |
| OIL: | 450cst | 350cst |
| BLADDER: | std | std |
| REBOUND: | 0 % | 0 % |
| SPRING: | Pink | Red |

NOTES: Tekno pistons and springs.

Tires / Wheels:

| | FRONT | REAR |
|-----------|---------|---------|
| BRAND: | AKA | AKA |
| TREAD: | Impact | Impact |
| COMPOUND: | Soft | Soft |
| INSERT: | AKA Red | AKA Red |
| WHEEL: | AKA | AKA |

NOTES:

Differential Oil:

| FRONT | CENTER | REAR |
|-------|--------|------|
| 7 | 7 | 5 |

NOTES:

Equipment:

| | |
|-----------|----------------------|
| BATTERY: | Trakpower 5600 60c |
| ESC: | Tekin RX8 Gen 2 |
| MOTOR: | Tekin Gen2 T8 1900kv |
| RADIO: | M12 |
| SERVO(s): | Savox sb2271 |

NOTES:

Drivetrain:

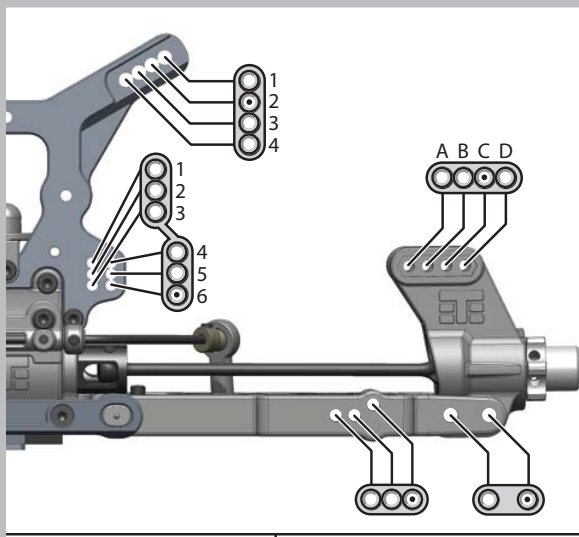
| | |
|-----------------|--|
| PINION/BELL: | 18 (teeth) |
| SPUR GEAR: | Metal <input checked="" type="checkbox"/> Plastic <input type="checkbox"/> |
| BRAKES: | Mech <input type="checkbox"/> Motor <input checked="" type="checkbox"/> |
| TRAKTION DRIVE: | Y/N / Springs |

NOTES:

Front Outer (Sweep)

Front Inner (Kick Up)

Rear End:



Rear Outer (Toe In)

Rear Inner (Anti-Squat)