

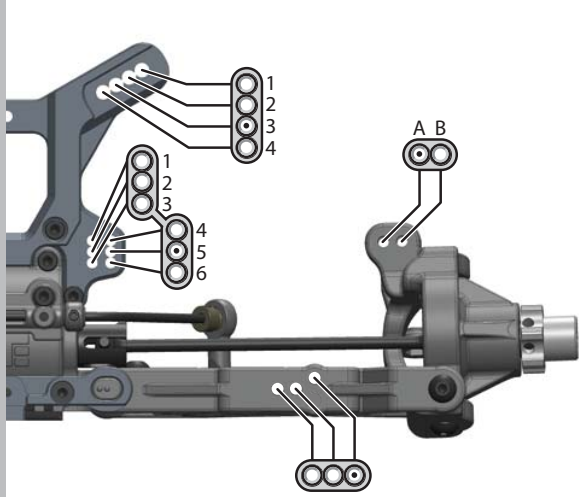
Name: CHRISTIAN HERNANDEZ Date: \_\_\_\_\_ Event/Track: TEAM ASSOCIATED TOP GUN SHOOTOUT

Track Conditions: Outdoor  Indoor  Wet  Dry  High Bite  Low Bite  Rough   
 Smooth  Hard Packed  Loose/Loamy  Blue Groove

### Bumpsteer/Ackerman/Servo Saver/Steering Stop:

<p># washers 1 over 3 under</p> <p>ballstud <input type="checkbox"/></p>	<p># washers 3 over 1 under</p> <p>ballstud <input checked="" type="checkbox"/></p>	<input type="checkbox"/> front <input checked="" type="checkbox"/> middle <input type="checkbox"/> rear
--	---	---

### Front End:



<p># of turns from fully tightened 5.5</p>	<p># washers 0</p>
--	--------------------

### Suspension:

	FRONT	REAR
RIDE HEIGHT:	25	24
TOE (in/out):	1 OUT	3.5
CAMBER:	-2	-2
CASTER:	10 Deg°	
SHOCK LENGTH (DROOP):	102	118
SWAY BAR:	2.4	2.2

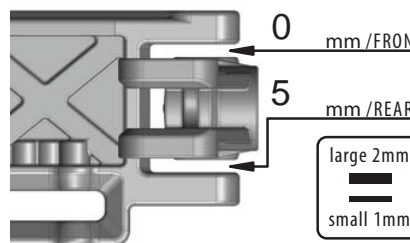
NOTES:

### Body/Wing:

BODY:	STOCK
WING:	STOCK

(DOWNFORCE POSITION)

### Wheelbase:



### Notes:

RAN .1 ARMS AND REAR TOE BLOCK

### Shocks:

	FRONT	REAR
STD/EMUL/VENT:	STD	STD
PISTON:	10 X 1.1	10 X 1.1
OIL:	LOSI 40	LOSI 35
BLADDER:	STOCK	STOCK
REBOUND:	10 %	10 %
SPRING:	YELLOW	YELLOW

NOTES:

### Tires / Wheels:

	FRONT	REAR
BRAND:	JCONCEPTS	JCONCEPTS
TREAD:	BARCODES	BARCODES
COMPOUND:	ORANGE	ORANGE
INSERT:	PROFILED INSERT	PROFILED INSERT
WHEEL:	AKA	AKA

NOTES: SAUCED TIRES

### Differential Oil:

FRONT	CENTER	REAR
5	7	3

NOTES:

### Equipment:

BATTERY:	SMC 6500 4S
ESC:	LRP IX8 1.7V
MOTOR:	LRP DYNAMIC 10L 2400
RADIO:	SPEKTRUM DX4R
SERVO(s):	SAVOX TG 1258

NOTES:

### Drivetrain:

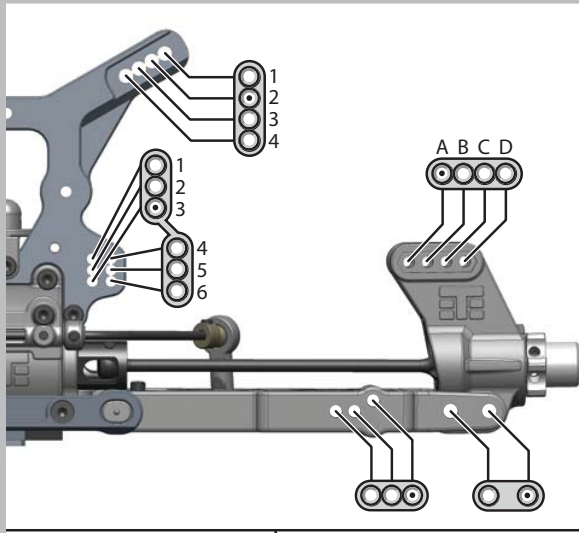
PINION/BELL:	15 (teeth)
SPUR GEAR:	Metal <input type="checkbox"/> Plastic <input type="checkbox"/>
BRAKES:	Mech <input type="checkbox"/> Motor <input type="checkbox"/>
TRAKTION DRIVE:	N/A / N/A <sup>Springs</sup>

NOTES: N/A

### Front Outer (Sweep)

### Front Inner (Kick Up)

### Rear End:



### Rear Outer (Toe In)

### Rear Inner (Anti-Squat)