




Name: Jeff Beck

Date: 06/29/2014

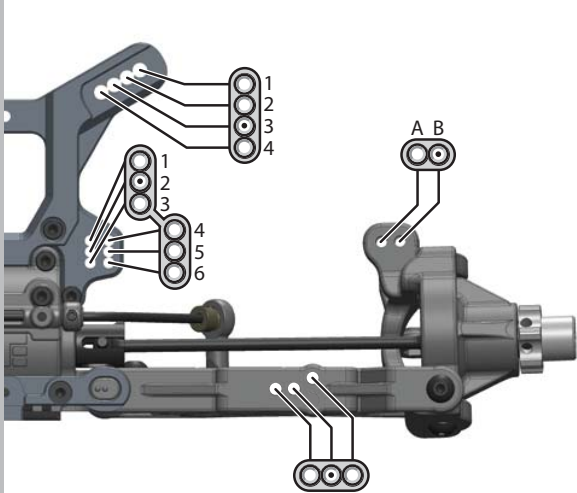
Event/Track: Brown's Hobby Shop

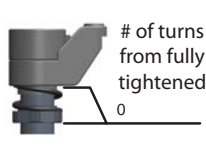
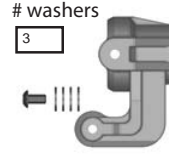
Track Conditions: Outdoor Indoor Wet Dry High Bite Low Bite Rough
 Smooth Hard Packed Loose/Loamy Blue Groove

Bumpsteer/Ackerman/Servo Saver/Steering Stop:

 <p># washers <input type="checkbox"/> 0 over <input type="checkbox"/> 4 under ballstud <input type="checkbox"/> <input type="checkbox"/></p>	 <p># washers <input type="checkbox"/> 3 over <input type="checkbox"/> 1 under ballstud <input type="checkbox"/> <input type="checkbox"/></p>	 <p><input type="checkbox"/> front <input checked="" type="checkbox"/> middle <input type="checkbox"/> rear</p>
---	--	--

Front End:



 <p># of turns from fully tightened 0</p>	 <p># washers 3</p>
--	---

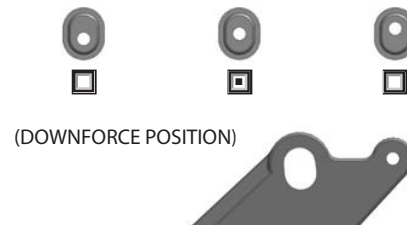
Suspension:

	FRONT	REAR
RIDE HEIGHT:	27mm	27mm
TOE (in/out):	1 out	See Below
CAMBER:	-2	-2
CASTER:	10 Deg°	
SHOCK LENGTH (DROOP):	104mm	120
SWAY BAR:	2.2	2.4

NOTES:

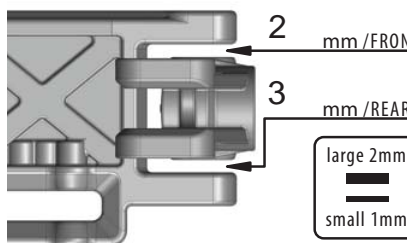
Body/Wing:

BODY:	Stock
WING:	Stock



(DOWNFORCE POSITION)

Wheelbase:



Notes:

1.5 rear hanger

PT RC Racing oils, Tekno springs and pistons.

Shocks:

	FRONT	REAR
STD/EMUL/VENT:	Vent	Vent
PISTON:	Tekno 8x1.4	Tekno 8x1.4
OIL:	625cst	525cst
BLADDER:	stock	stock
REBOUND:	0 %	0 %
SPRING:	Tekno Green	Tekno Red

NOTES:

Tires / Wheels:

	FRONT	REAR
BRAND:	AKA	AKA
TREAD:	Impact	Impact
COMPOUND:	S	S
INSERT:	AKA Red	AKA Red
WHEEL:	AKA	AKA

NOTES:

Differential Oil:

FRONT	CENTER	REAR
7	7	5

NOTES:

Equipment:

BATTERY:	TrakPower 4S 5600mAh 60C
ESC:	Tekin RX8 Gen2
MOTOR:	Tekin T8 Gen2 1900kv
RADIO:	Airtronics M12
SERVO(s):	Savox 2271sg

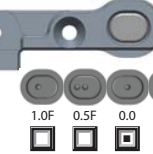
NOTES:

Drivetrain:

PINION/BELL:	20 (teeth)
SPUR GEAR:	Metal <input checked="" type="checkbox"/> Plastic <input type="checkbox"/>
BRAKES:	Mech <input type="checkbox"/> Motor <input type="checkbox"/>
TRAKTION DRIVE:	Y/N / Springs

NOTES: Air temp 93*

Front Outer (Sweep)



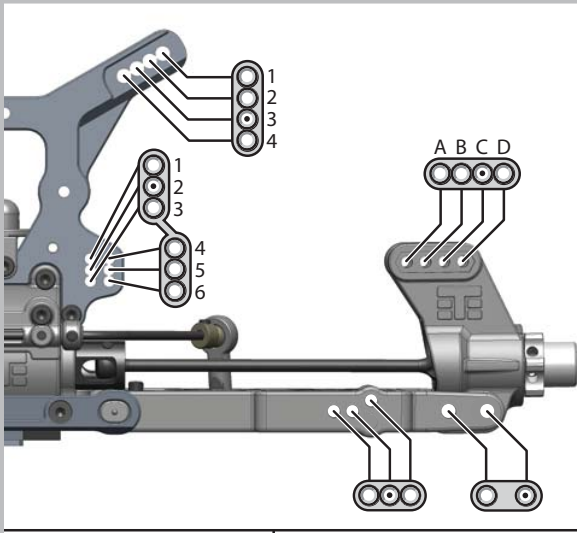
1.0F 0.5F 0.0 0.5R 1.0R

Front Inner (Kick Up)

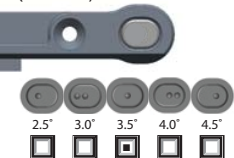


10.0° 10.5° 11.0° 11.5° 12.0°

Rear End:



Rear Outer (Toe In)



2.5° 3.0° 3.5° 4.0° 4.5°

Rear Inner (Anti-Squat)



3.0° 2.5° 2.0° 1.5° 1.0°