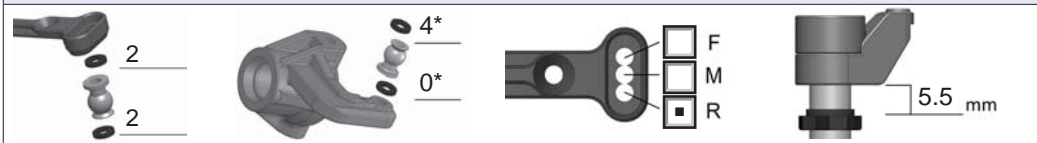


SETUP SHEET

Name: Daniel Lewis Date: _____ Event: CVRC and SDRC

Track Conditions: Outdoor Open Loose/Loamy Dusty High Bite Low Bite Rough
 Indoor Tight Smooth Hard Packed Wet Dry Med Bite Blue Groove

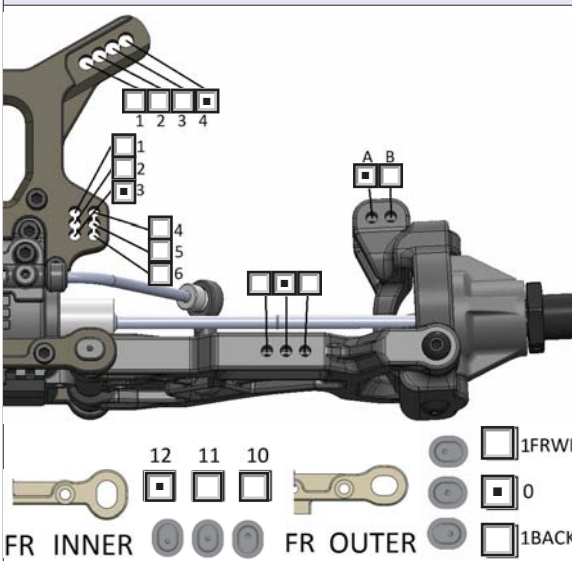
BUMPSTEER/ACKERMANN/SERVO SAVER



SHOCKS

	Front	Rear
Piston	stock*	stock*
Oil	40 Losi	35 Losi
Bladder	stock	stock
Spring	TKR Green (8.5T)	TKR Pink (11T)
Length/Droop	104	122

FRONT



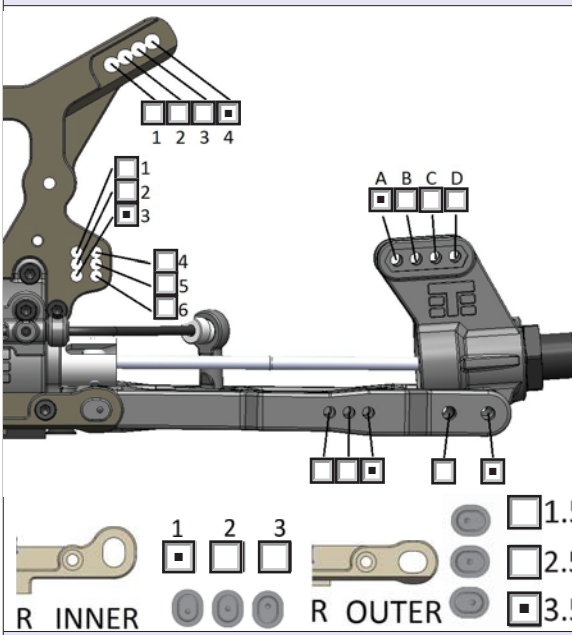
SUSPENSION

	Front	Rear
Ride Height	27	29
Camber	1.5	1.5
Toe	1 out	3.5
Sway Bar	2.4	2.4

TIRES

	Front	Rear
Brand	JC Barcodes	JC Barcodes
Compound	Gold	Gold
Insert	AKA Black grooved	AKA Black grooved
Wheel	AKA Evo	AKA Evo

REAR



WING

Brand: Tekno stock

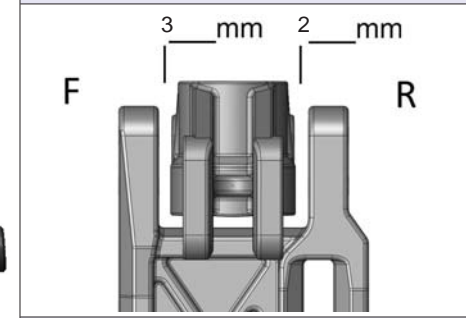
Type: high downforce

BRACES

Front Middle Rear
 (Front is always recommended)

Notes:

WHEELBASE



DIFFS

Front	10	Center	5	Rear	2
-------	----	--------	---	------	---

ELECTRONICS

ESC: Tekin RX8
 Battery: ProTek RC 4s/4100/70C
 Servo(s): Hitec 7955
 Radio: Airtronics MT4
 Motor: Tekin 2050kv

DRIVETRAIN

Gear Ratio: 15 / 44

Pinion Long Shank
 Traktion Clutch
 Mech. Brake Motor Brake

Spur: Metal Plastic
 Shoes:
 Springs:
 Radio Notes:

NOTES:

*We flipped the orientation of the pivot ball on the steering blocks so they sit lower. The stock settings produce a little bump steer (out), we flipped the pivot ball and adjusted the washers to achieve 0 bump steer.

*On the pistons, we drilled all 10 holes out to 1.2mm (stock is 10x1.1mm).