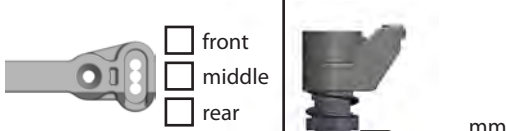


Name: _____ Date: _____ Event: _____

Track Conditions: Outdoor Indoor Wet Dry High Bite Low Bite
 Rough Smooth Hard Packed Loose/Loamy Blue Groove

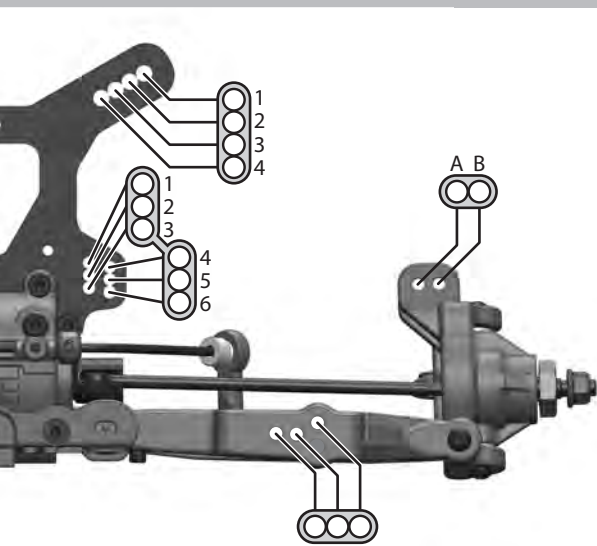
Bumpsteer/Ackerman/Servo Saver:



Shocks:

	FRONT	REAR
OIL		
PISTON		
SPRING		
REBOUND	%	%
STD/EMUL/VENT		

Front End:



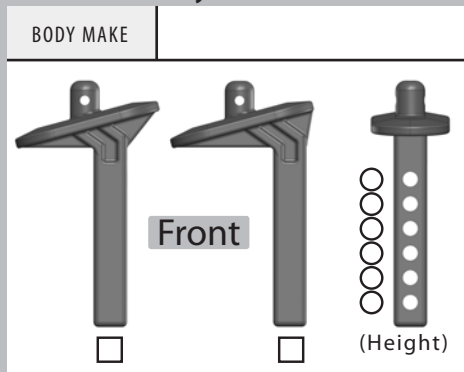
Suspension:

	FRONT	REAR
RIDE HEIGHT		
CAMBER		
TOE (in/out)		
SWAY BAR		
SHOCK LENGTH (DROOP)		

Tires / Wheels:

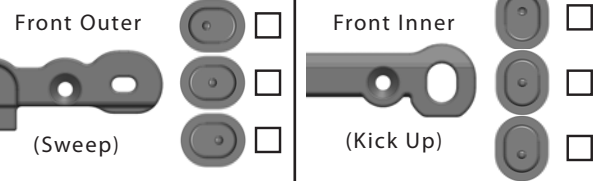
	FRONT	REAR
BRAND/TREAD		
COMPOUND		
INSERT		
WHEEL		

Body/Mounts:



Differential Oil:

FRONT	CENTER	REAR



Electronics:

ESC: _____

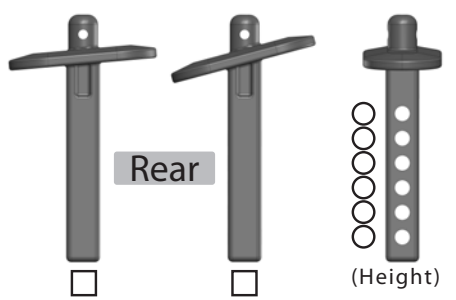
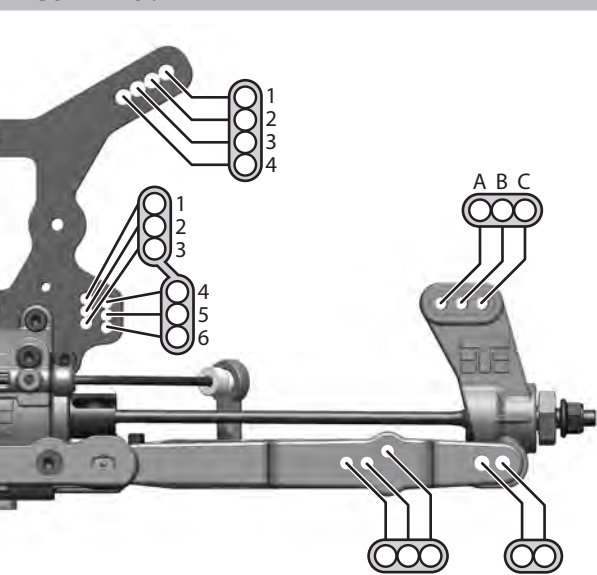
Battery: _____

Motor: _____

Radio: _____

Servo: _____

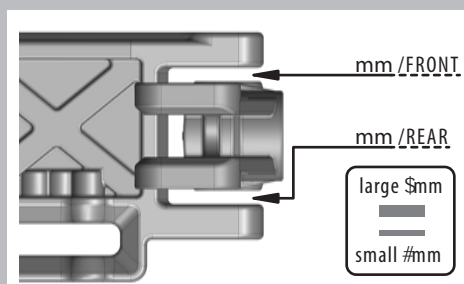
Rear End:



Drivetrain:

SPUR GEAR	Metal <input type="checkbox"/>	Composite <input type="checkbox"/>
Traktion Drive	<input type="checkbox"/>	Elektri-Clutch <input type="checkbox"/> Pinion <input type="checkbox"/>
PINION SIZE	(teeth)	
Mechanical Brakes	<input type="checkbox"/>	Motor Brakes <input type="checkbox"/>

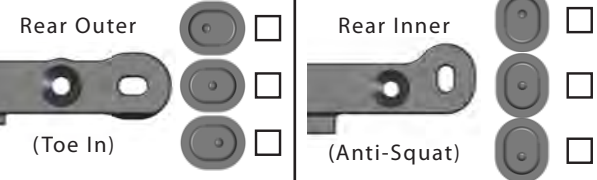
Wheelbase:



Chassis Braces:

Front Middle Rear

(front brace is always recommended)



Notes:
