

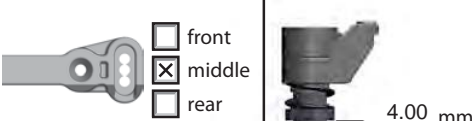
Name: Randy C

Date:

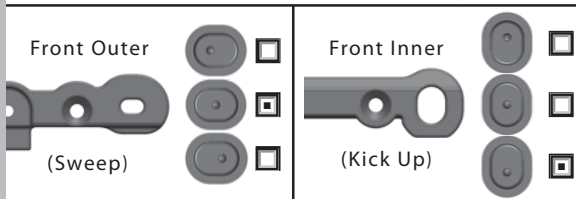
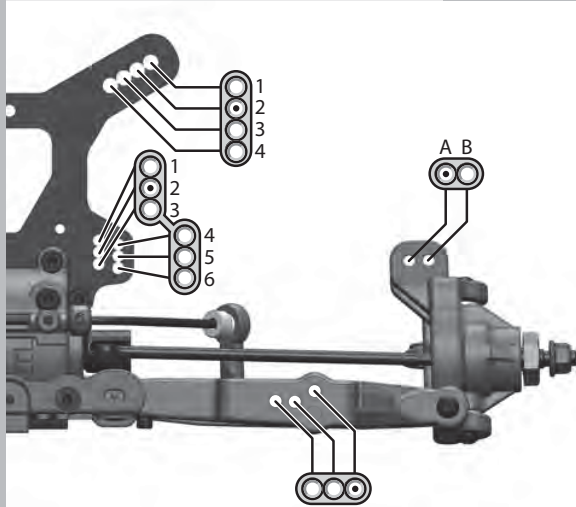
Event: CRCRC Midwest Champs

Track Conditions: Outdoor Indoor Wet Dry High Bite Low Bite
 Rough Smooth Hard Packed Loose/Loamy Blue Groove

Bumpsteer/Ackerman/Servo Saver:



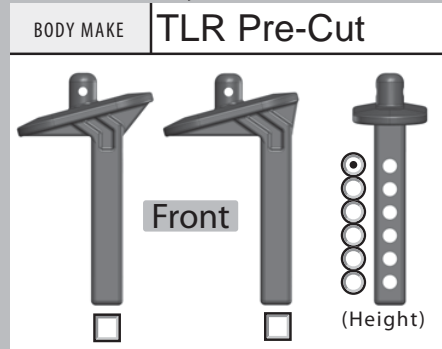
Front End:



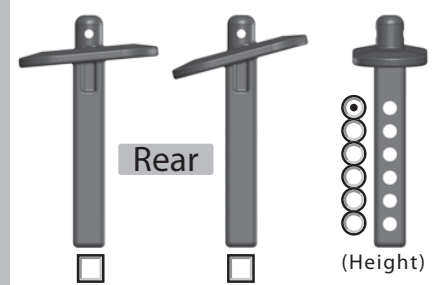
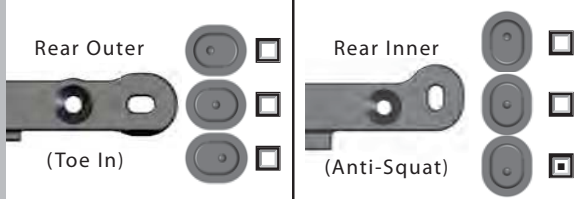
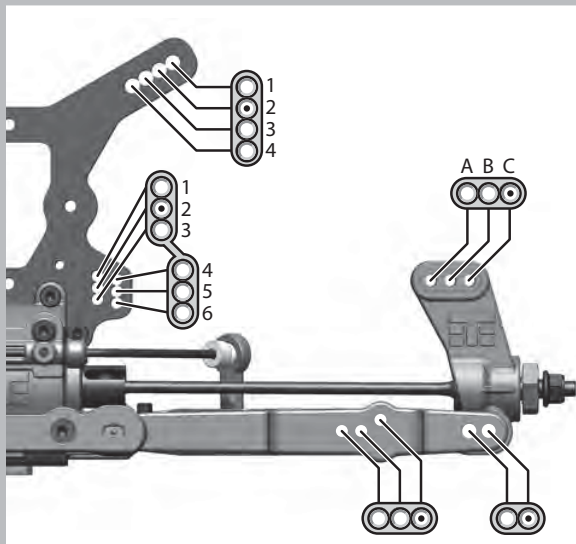
Suspension:

	FRONT	REAR
RIDE HEIGHT	24	23.5
CAMBER	1.2	2.5
TOE (in/out)	2	4
SWAY BAR	2.6	2.6
SHOCK LENGTH (DROOP)	104	122.75

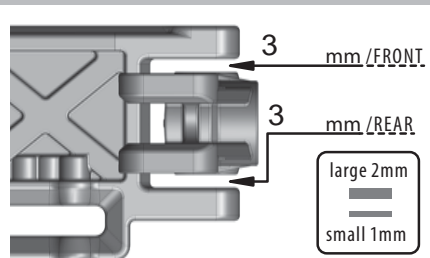
Body/Mounts:



Rear End:



Wheelbase:



Notes:

66 grams front of battery tray-1/4" foam in front of battery. Rear Toe 2 dot out +1.5 plate track was technical /fast with 1 big triple, fast off power sweeper and 90/180 corners Track was grippy/bumpy. Weather was 50-60* inside and went from 9-25* outside

Shocks:

	FRONT	REAR
OIL	AE32.5	AE25
PISTON	6x1.6	6x1.6
SPRING	Pink	Yellow
REBOUND	20 %	20 %
STD/EMUL/VENT	Vent/Bladder	Vent/Bladder

Tires / Wheels:

	FRONT	REAR
BRAND/TREAD	Panther Rattler	Rattler
COMPOUND	Clay/pink	
INSERT	red aka	
WHEEL	DE	

NOTES: 25% tread

Differential Oil:

FRONT	CENTER	REAR
15k	15k	10k

Electronics:

ESC:	Tekin Gen2
Battery:	Trakpower 7200 90C
Motor:	HW 4700kv
Radio:	MT-4S
Servo:	JR 9100 HVS

Drivetrain:

SPUR GEAR	Metal <input type="checkbox"/> Composite <input checked="" type="checkbox"/>
Traktion Drive	Elektri-Clutch <input type="checkbox"/> Pinion <input checked="" type="checkbox"/>
PINION SIZE	16 (teeth)
Mechanical Brakes	Motor Brakes <input checked="" type="checkbox"/>

Chassis Braces:

Front Middle Rear
 (front brace is always recommended)