

Name: Chad Wilson

Date:

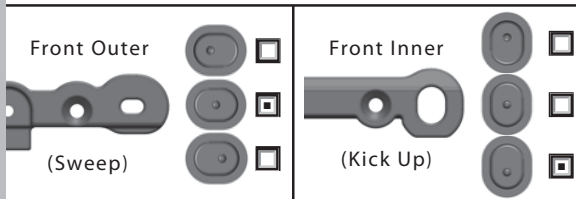
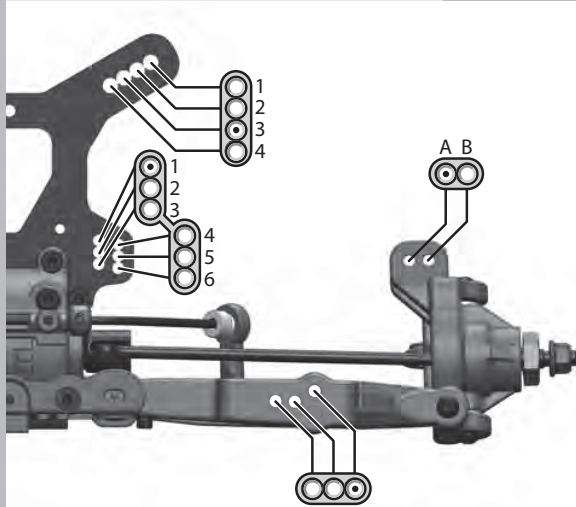
Event: JConcepts Fall Indoor Nats

Track Conditions: Outdoor  Indoor  Wet  Dry  High Bite  Low Bite   
 Rough  Smooth  Hard Packed  Loose/Loamy  Blue Groove

### Bumpsteer/Ackerman/Servo Saver:



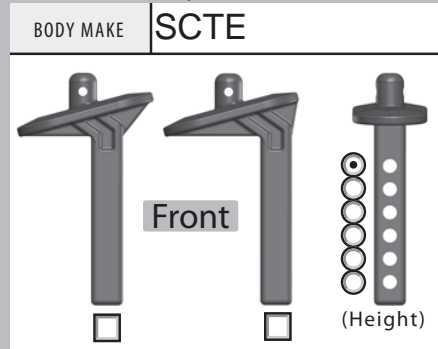
### Front End:



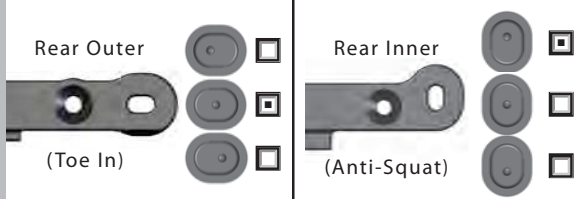
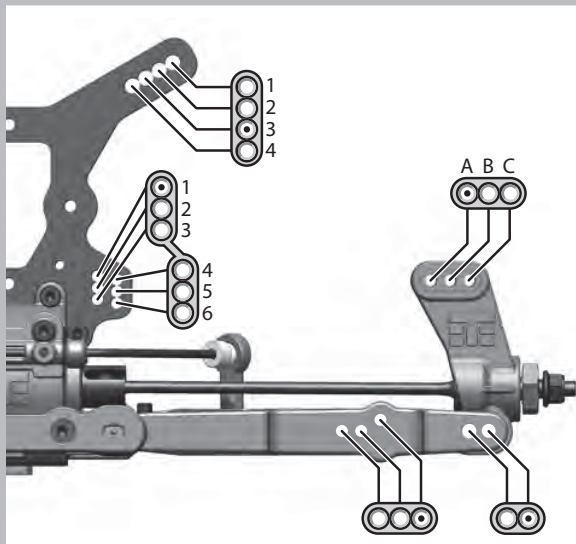
### Suspension:

	FRONT	REAR
RIDE HEIGHT	25	21
CAMBER	-1	-1
TOE (in/out)	-1	+2
SWAY BAR	2.3	none
SHOCK LENGTH (DROOP)		

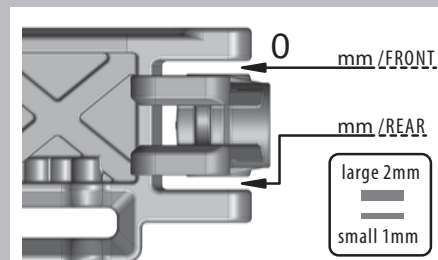
### Body/Mounts:



### Rear End:



### Wheelbase:



### Shocks:

	FRONT	REAR
OIL	35	27.5
PISTON	8x1.3	8x1.3
SPRING	Pink	Green
REBOUND	0 %	0 %
STD/EMUL/VENT	Vented	Vented

### Tires / Wheels:

	FRONT	REAR
BRAND/TREAD	AKA/Deja Vu	AKA/Deja Vu
COMPOUND	Soft	Soft
INSERT	Red	Red
WHEEL	JC/hazards	JC/hazards

NOTES: holes in rim and tires

### Differential Oil:

FRONT	CENTER	REAR
7	7	3

### Electronics:

ESC: **Tekin RX8 G2**

Battery: **SMC**

Motor: **Tekin Pro4 HD 4300**

Radio: **EX-1**

Servo: **Savox**

### Drivetrain:

SPUR GEAR Metal  Composite

Traktion Drive  Elektri-Clutch  Pinion

PINION SIZE **18** (teeth)

Mechanical Brakes  Motor Brakes

### Chassis Braces:

Front  Middle  Rear

(front brace is always recommended)

### Notes:

BCE chassis - battery pushed all the way back, LCG motor mount  
 LRC rear hinge, lightened out drives, Alum center shaft