

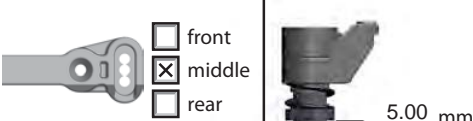
Name: Randy C

Date:

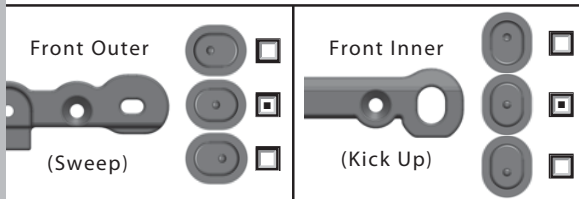
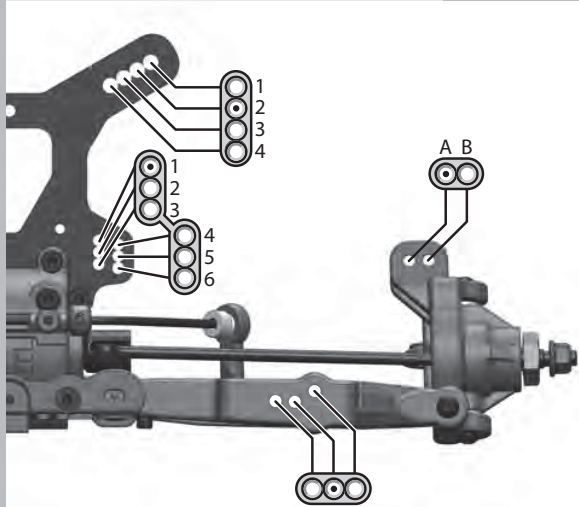
Event: Spektrum/ Trackside RC

Track Conditions: Outdoor Indoor Wet Dry High Bite Low Bite
 Rough Smooth Hard Packed Loose/Loamy Blue Groove

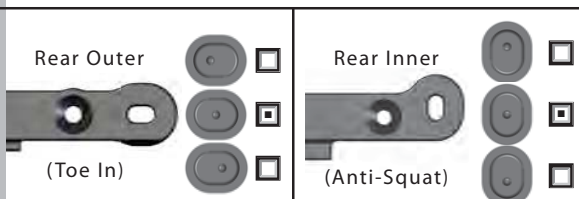
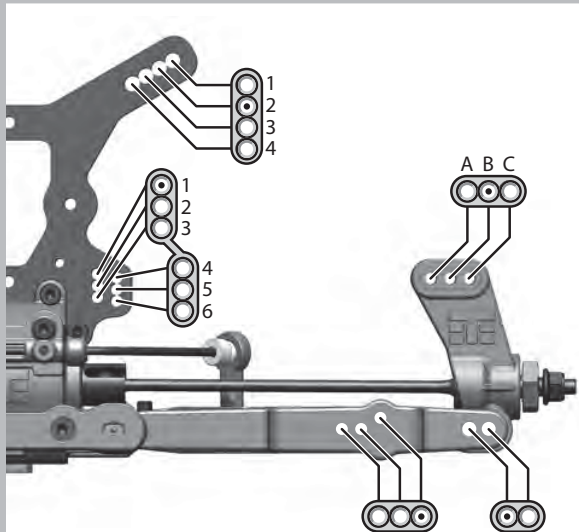
Bumpsteer/Ackerman/Servo Saver:



Front End:



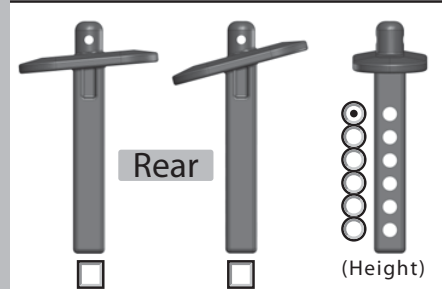
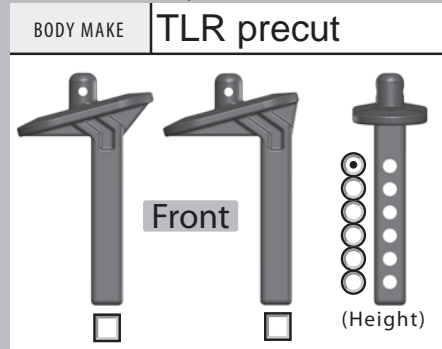
Rear End:



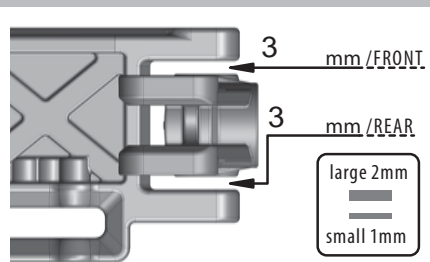
Suspension:

	FRONT	REAR
RIDE HEIGHT	25	25.5
CAMBER	1.2	2
TOE (in/out)	3 ish	1 dot lrc
SWAY BAR	2.3	2.4
SHOCK LENGTH (DROOP)	101.5	121.5

Body/Mounts:



Wheelbase:



Notes:

1oz lead between steering post, battery forward, LRC rear plate,
 Front arms moved back 3mm. Track was tight with 180°, 90° chicane and fast sweeper with small jumps
 weather outside was 40-45 inside was humid and 68 ish aggressive steering, rear was loose but mangable

Shocks:

	FRONT	REAR
OIL	AE32.5	AE25
PISTON	cnc 8x1.4	cnc8x1.4
SPRING	Black	Green
REBOUND	0 %	0 %
STD/EMUL/VENT	Bladder/vent	

Tires / Wheels:

	FRONT	REAR
BRAND/TREAD	Dirt webs	
COMPOUND	Gold	
INSERT	red Wide	
WHEEL	DE	

NOTES: liquid Wrench

Differential Oil:

FRONT	CENTER	REAR
AE2k	AE2k	Ae 55wt

Electronics:

ESC:	Tekin Gen2
Battery:	Trakpower 7200 90C
Motor:	HW 4700
Radio:	MT4s
Servo:	JR9100HVS

Drivetrain:

SPUR GEAR	Metal <input type="checkbox"/> Composite <input checked="" type="checkbox"/>
Traktion Drive	<input type="checkbox"/> Elektri-Clutch <input type="checkbox"/> Pinion <input type="checkbox"/>
PINION SIZE	16 (teeth)
Mechanical Brakes	<input type="checkbox"/> Motor Brakes <input checked="" type="checkbox"/>

Chassis Braces:

Front <input checked="" type="checkbox"/>	Middle <input checked="" type="checkbox"/>	Rear <input type="checkbox"/>
(front brace is always recommended)		