

Name: Martti Myllyntaus

Date:

Event: LRP Arena Warmup

Track Conditions: Outdoor  Indoor  Wet  Dry  High Bite  Low Bite   
 Rough  Smooth  Hard Packed  Loose/Loamy  Blue Groove

### Bumpsteer/Ackerman/Servo Saver:

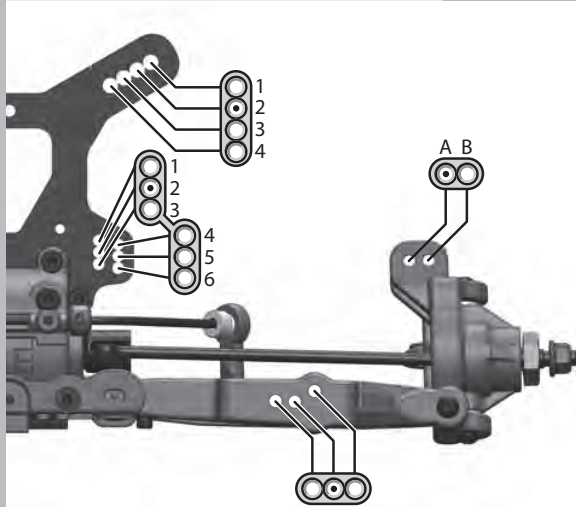
# washers over:  0  1  2  3  4

# washers under:  1  2  3  4

front  middle  rear

4.00 mm

### Front End:



Front Outer (Sweep)

Front Inner (Kick Up)

### Suspension:

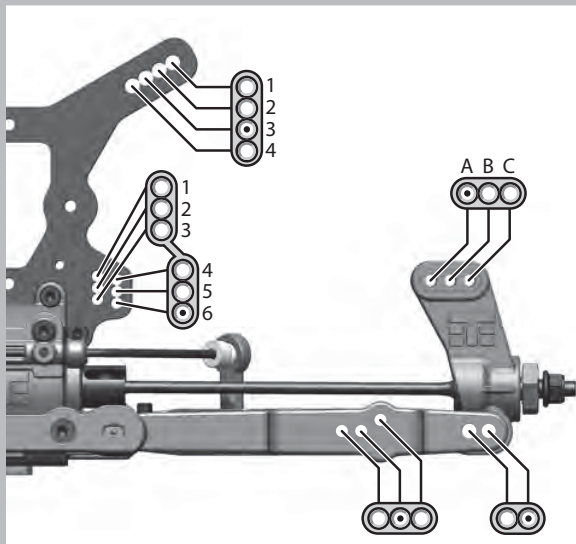
	FRONT	REAR
RIDE HEIGHT	24	25
CAMBER	-3,5	-2,0
TOE (in/out)	2 out	+1,5
SWAY BAR	2,4	2,6
SHOCK LENGTH (DROOP)	101	118

### Body/Mounts:

BODY MAKE: Pro-line F250

Front   (Height)

### Rear End:

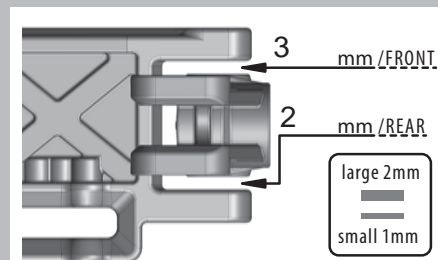


Rear Outer (Toe In)

Rear Inner (Anti-Squat)

Rear   (Height)

### Wheelbase:



### Notes:

LRC-Brace&LCG mount.

Extreme camber in front for aggressive turning. Track painted concrete.  
 Small technical, mixed surface small jumps. Try lower swaybars also.

### Shocks:

	FRONT	REAR
OIL	37.5 Losi	30 Losi
PISTON	6x1,5	6x1,5
SPRING	Black	Purple
REBOUND	0 %	0 %
STD/EMUL/VENT	Vent	Vent

### Tires / Wheels:

	FRONT	REAR
BRAND/TREAD	Mini Pin	Mini Pin
COMPOUND	Yellow	Yellow
INSERT	AKA Red	AKA Red
WHEEL	Serpent	Serpent

NOTES:

### Differential Oil:

FRONT	CENTER	REAR
7	5	3

### Electronics:

ESC: Orion R10

Battery: Intellect 7600

Motor: HW XERUN-3672SD

Radio: Sanwa MT-4

Servo: Savox SC-1258TG

### Drivetrain:

SPUR GEAR: Metal  Composite

Traktion Drive  Elektri-Clutch  Pinion

PINION SIZE: 15 (teeth)

Mechanical Brakes  Motor Brakes

### Chassis Braces:

Front  Middle  Rear   
 (front brace is always recommended)