

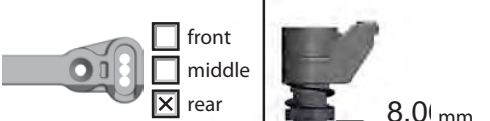
Name: Adam schick

Date:

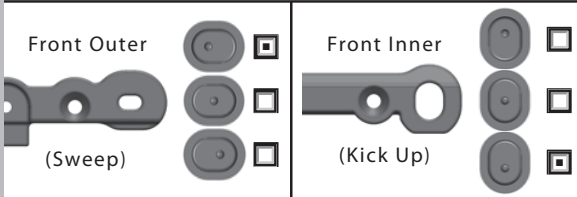
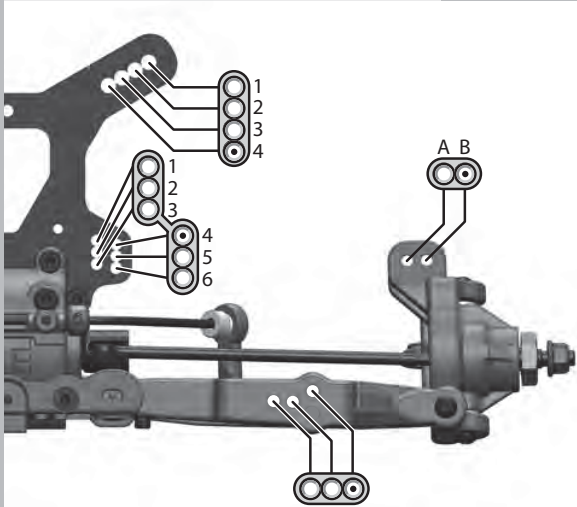
Event: Sdrc

Track Conditions: Outdoor Indoor Wet Dry High Bite Low Bite
 Rough Smooth Hard Packed Loose/Loamy Blue Groove

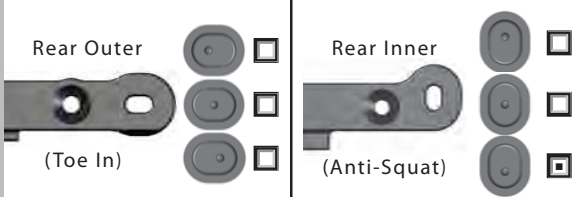
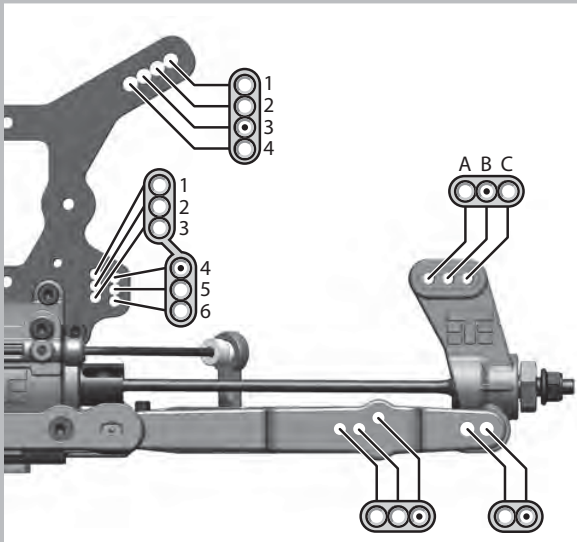
Bumpsteer/Ackerman/Servo Saver:



Front End:



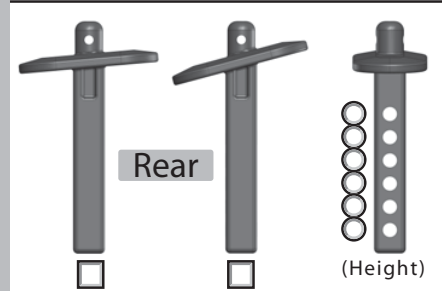
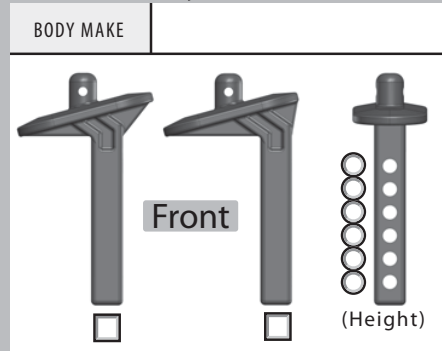
Rear End:



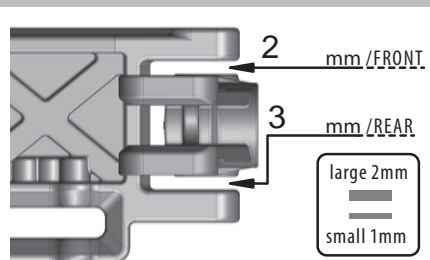
Suspension:

	FRONT	REAR
RIDE HEIGHT	25	25
CAMBER	-1	-1
TOE (in/out)	1	1
SWAY BAR	2.4	2.3
SHOCK LENGTH (DROOP)	101	118

Body/Mounts:



Wheelbase:



Notes:

LRC rear toe plate double dot out. LRC motor mount. Carbon fiber towers.
No rear bumper. Lighten eb48 chassis.

Shocks:

	FRONT	REAR
OIL	30	27.5
PISTON	6x1.5	6x1.5
SPRING	Pink	Red
REBOUND	0 %	0 %
STD/EMUL/VENT	Vent	Vent

Tires / Wheels:

	FRONT	REAR
BRAND/TREAD	Aka déjà vue	Aka déjà vue
COMPOUND	Clay	Clay
INSERT	Red aka	Red aka
WHEEL	Aka	Aka

NOTES:

Differential Oil:

FRONT	CENTER	REAR
7	5	5

Electronics:

ESC:	Flow
Battery:	LRP 7500
Motor:	LRP 4700
Radio:	Mt4 s
Servo:	Hitec 7955

Drivetrain:

SPUR GEAR	Metal <input type="checkbox"/> Composite <input checked="" type="checkbox"/>
Traktion Drive	<input type="checkbox"/> Elektri-Clutch <input type="checkbox"/> Pinion <input checked="" type="checkbox"/>
PINION SIZE	16 (teeth)
Mechanical Brakes	<input type="checkbox"/> Motor Brakes <input checked="" type="checkbox"/>

Chassis Braces:

Front <input checked="" type="checkbox"/>	Middle <input type="checkbox"/>	Rear <input type="checkbox"/>
(front brace is always recommended)		