

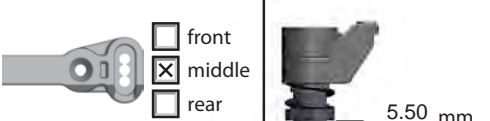
Name: CHRISTIAN HERNADEZ

Date:

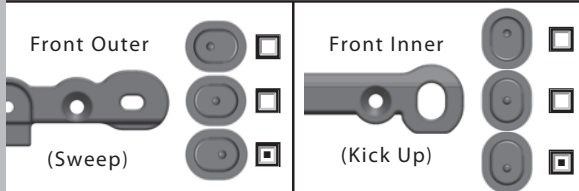
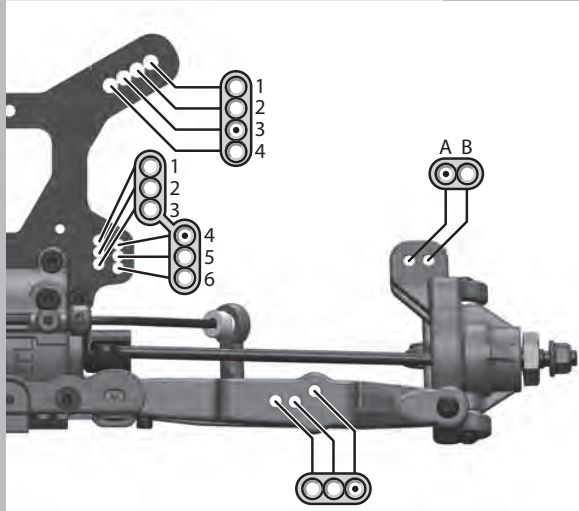
Event: TEAM ASSOCIATED TOP GUN SHOOTOUT

Track Conditions: Outdoor Indoor Wet Dry High Bite Low Bite
 Rough Smooth Hard Packed Loose/Loamy Blue Groove

Bumpsteer/Ackerman/Servo Saver:



Front End:

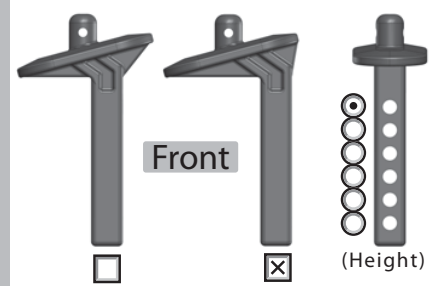


Suspension:

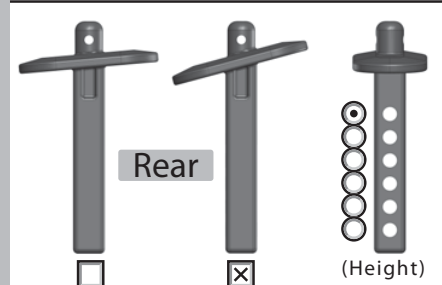
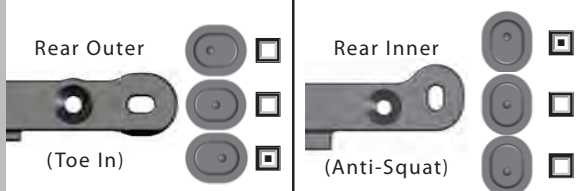
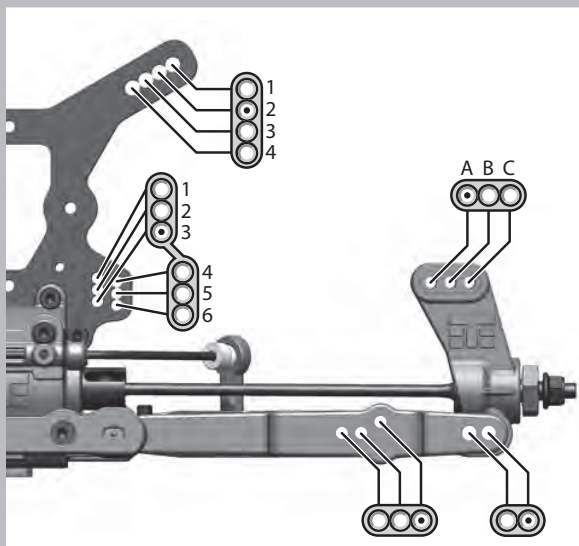
	FRONT	REAR
RIDE HEIGHT	25	23
CAMBER	-2	-2
TOE (in/out)	1 OUT	3.5
SWAY BAR	2.4	2.2
SHOCK LENGTH (DROOP)	100	118

Body/Mounts:

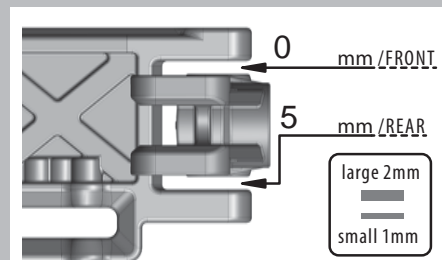
BODY MAKE	ANDY'S RC WARRIOR
-----------	-------------------



Rear End:



Wheelbase:



Notes:

RAN REAR CARBON FIBER SHOCK TOWER AND REAR BATTERY MOD

Shocks:

	FRONT	REAR
OIL	LOSI 30	LOSI 27.5
PISTON	10 X 1.1	10 X 1.1
SPRING	ASSOCIATED BRONZE	PINK
REBOUND	10 %	10 %
STD/EMUL/VENT	STD	STD

Tires / Wheels:

	FRONT	REAR
BRAND/TREAD	PROLINE SUBURBS 2.0	PROLINE SUBURBS 2.0
COMPOUND	M3	M3
INSERT	CLOSED CELL	CLOSED CELL
WHEEL	DE RACING	DE RACING

NOTES: SAUCED TIRES

Differential Oil:

FRONT	CENTER	REAR
5	7	3

Electronics:

ESC:	LRP FLOW WORKS TEAM
Battery:	LRP VTEC 7200 2S
Motor:	LRP DYNAMIC 10L 4700
Radio:	SPEKTRUM DX4R
Servo:	XP DIGITAL 1313

Drivetrain:

SPUR GEAR	Metal <input type="checkbox"/> Composite <input checked="" type="checkbox"/>
Traktion Drive	<input type="checkbox"/> Elektri-Clutch <input type="checkbox"/> Pinion <input checked="" type="checkbox"/>
PINION SIZE	13 (teeth)
Mechanical Brakes	<input type="checkbox"/> Motor Brakes <input checked="" type="checkbox"/>

Chassis Braces:

Front <input checked="" type="checkbox"/>	Middle <input type="checkbox"/>	Rear <input type="checkbox"/>
---	---------------------------------	-------------------------------

(front brace is always recommended)