

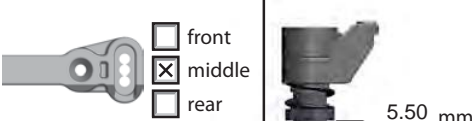
Name: Tyler Herwig

Date:

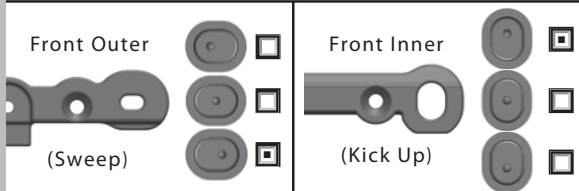
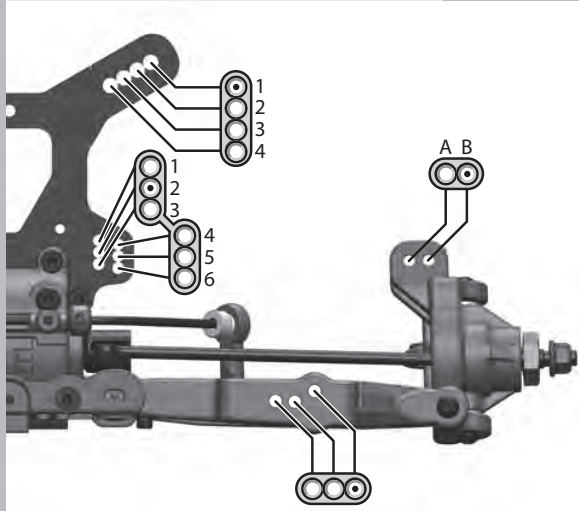
Event: AMS 5.0

Track Conditions: Outdoor Indoor Wet Dry High Bite Low Bite
 Rough Smooth Hard Packed Loose/Loamy Blue Groove

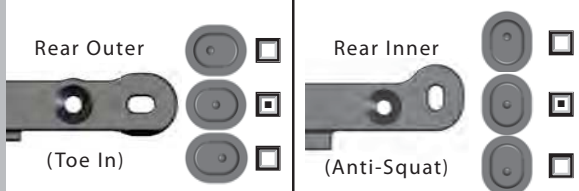
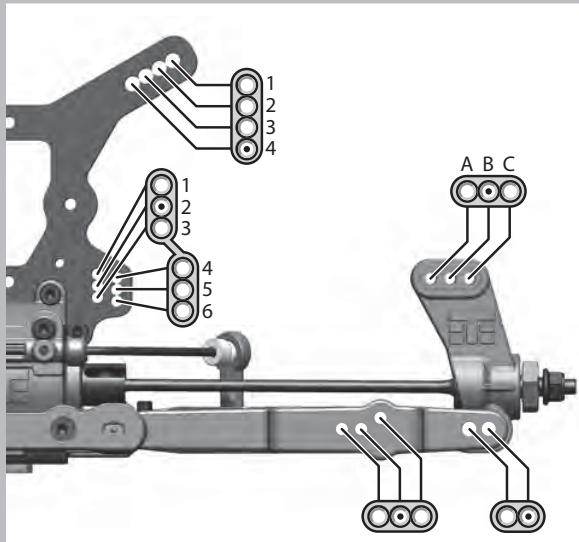
Bumpsteer/Ackerman/Servo Saver:



Front End:



Rear End:

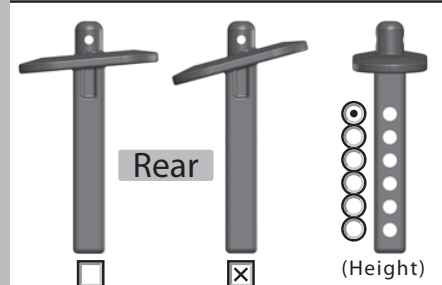
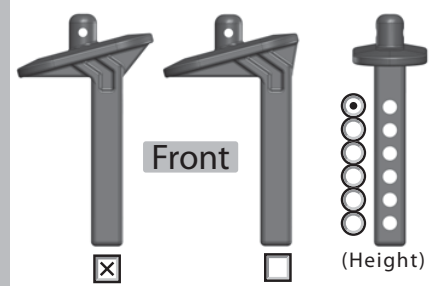


Suspension:

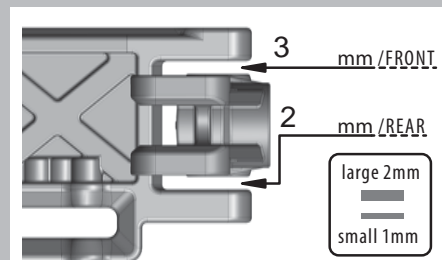
	FRONT	REAR
RIDE HEIGHT	26mm	26mm
CAMBER	-1	-1
TOE (in/out)	0	Center Dot +1.5 Brace
SWAY BAR	Stock	Stock
SHOCK LENGTH (DROOP)	102mm	118mm

Body/Mounts:

BODY MAKE	JConcepts Hi-Flow
-----------	-------------------



Wheelbase:



Notes:

Aluminum Hexes, Aluminum Servo Horn, +1.5 Rear Hinge Pin Brace
 V2 wings used on Body, All Shock Shaft O-Rings Removed, 10% exponential used

Shocks:

	FRONT	REAR
OIL	37.5 wt	27.5 wt
PISTON	8x1.3	8x1.3
SPRING	Serpent v2 Blue	Tekno Yellow
REBOUND	0 %	0 %
STD/EMUL/VENT	Std	Std

Tires / Wheels:

	FRONT	REAR
BRAND/TREAD	JConcepts 3D's	JConcepts 3D's
COMPOUND	Green (SS)	Green (SS)
INSERT	JConcepts	JConcepts
WHEEL	JConcepts Hazard	JConcepts Hazard

NOTES:

Differential Oil:

	FRONT	CENTER	REAR
10k	7k	5k	

Electronics:

ESC:	Tekin RX8 Gen 2
Battery:	SMC 7200mah
Motor:	Tekin Pro 4 HD 4300kv
Radio:	Futaba 4PKS-R
Servo:	Protek 130SS

Drivetrain:

SPUR GEAR	Metal <input type="checkbox"/> Composite <input checked="" type="checkbox"/>
Traktion Drive	Elektri-Clutch <input type="checkbox"/> Pinion <input checked="" type="checkbox"/>
PINION SIZE	17 (teeth)
Mechanical Brakes	<input type="checkbox"/> Motor Brakes <input checked="" type="checkbox"/>

Chassis Braces:

Front <input checked="" type="checkbox"/> Middle <input checked="" type="checkbox"/> Rear <input type="checkbox"/>
(front brace is always recommended)