

Name: Sean Ramos

Date:

Event: Medium bite indoor clay

Track Conditions: Outdoor Indoor Wet Dry High Bite Low Bite
 Rough Smooth Hard Packed Loose/Loamy Blue Groove

Bumpsteer/Ackerman/Servo Saver:

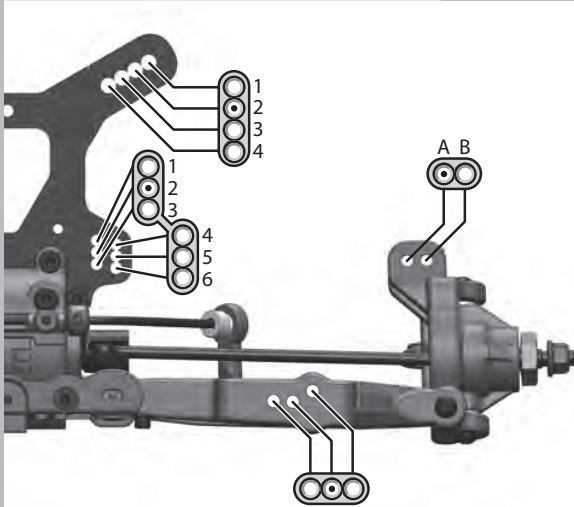
washers over 0 under 4

washers over 4 under 0

front middle rear

mm

Front End:



Front Outer (Sweep)

Front Inner (Kick Up)

Suspension:

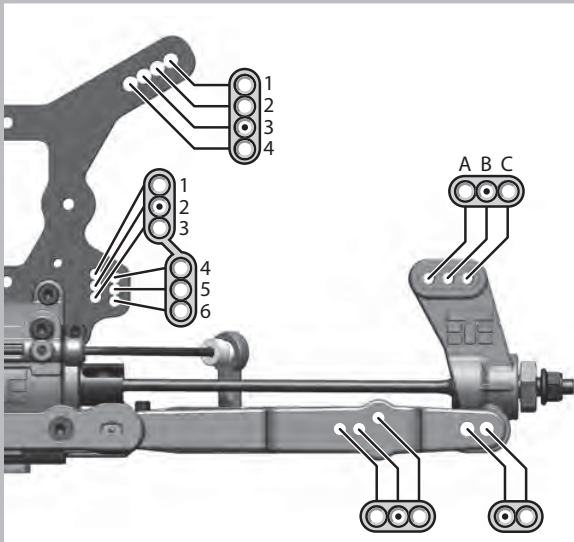
	FRONT	REAR
RIDE HEIGHT	25	25
CAMBER	-1	-2
TOE (in/out)	1out	Full stock
SWAY BAR	2.2	2.3
SHOCK LENGTH (DROOP)	104	120

Body/Mounts:

BODY MAKE	Ftw (no vent holes), HotlapsRC air dams
-----------	---

Front (Height)

Rear End:

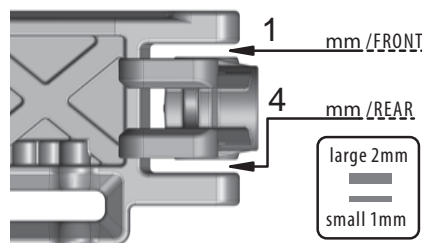


Rear Outer (Toe In)

Rear Inner (Anti-Squat)

Rear (Height)

Wheelbase:



Notes:

Pivot ball on steering hub flipped. 35% current limit, servo saver cranked. Front body mount in rear, rear mount in front
 Shock measured eyelet to eyelet. 2 shock shaft o-rings. Lightened out drives and driveshaft
 Ride height set from 8" drop, then lift and drop front and check, lift and drop rear and check

Shocks:

	FRONT	REAR
OIL	35 losi	27 1/2 losi
PISTON	Fioroni	Fioroni
SPRING	T-orange	T-red
REBOUND	0 %	0 %
STD/EMUL/VENT	Emul	Emul

Tires / Wheels:

	FRONT	REAR
BRAND/TREAD	Wishbone2	Wishbone2
COMPOUND	Clay	Clay
INSERT	Aka red	Aka red
WHEEL	Aka	Aka

NOTES: Never wash or clean tread, or dope

Differential Oil:

FRONT	CENTER	REAR
7	10	5

Electronics:

ESC:	Rx8 gen2
Battery:	Trakpower 80c bullet
Motor:	4300hd
Radio:	M12
Servo:	7955tg

Drivetrain:

SPUR GEAR	Metal <input type="checkbox"/> Composite <input checked="" type="checkbox"/>
Traktion Drive	<input type="checkbox"/> Elektri-Clutch <input type="checkbox"/> Pinion <input checked="" type="checkbox"/>
PINION SIZE	18 (teeth)
Mechanical Brakes	<input type="checkbox"/> Motor Brakes <input checked="" type="checkbox"/>

Chassis Braces:

Front <input checked="" type="checkbox"/> Middle <input type="checkbox"/> Rear <input type="checkbox"/>
(front brace is always recommended)