

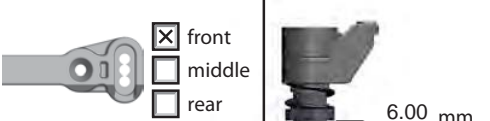
Name: PRES ILOG

Date:

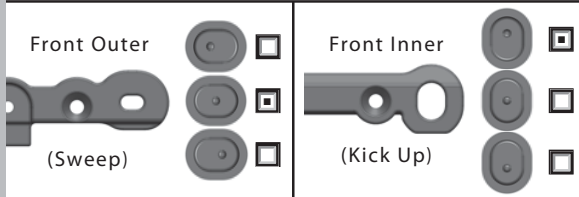
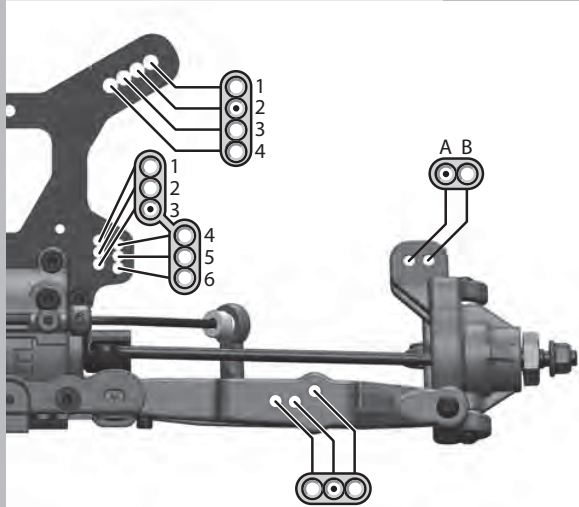
Event: MEDIUM BITE/CLAY

Track Conditions: Outdoor Indoor Wet Dry High Bite Low Bite
 Rough Smooth Hard Packed Loose/Loamy Blue Groove

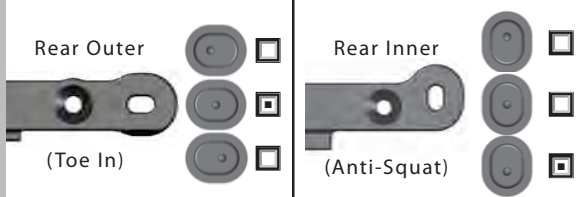
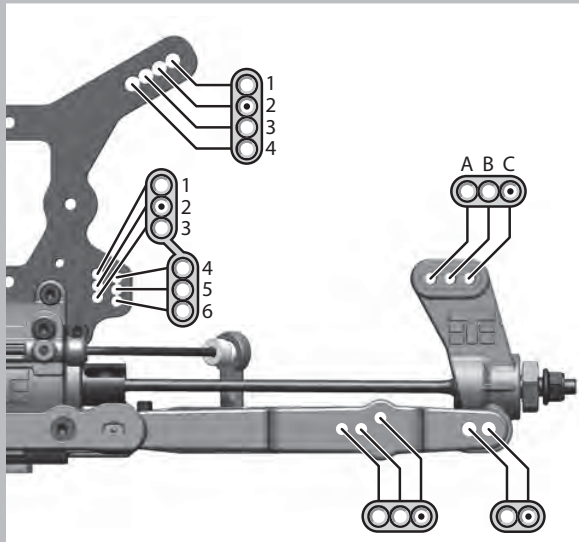
Bumpsteer/Ackerman/Servo Saver:



Front End:



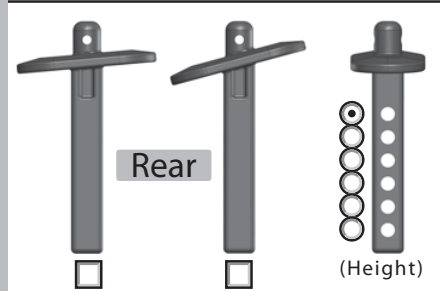
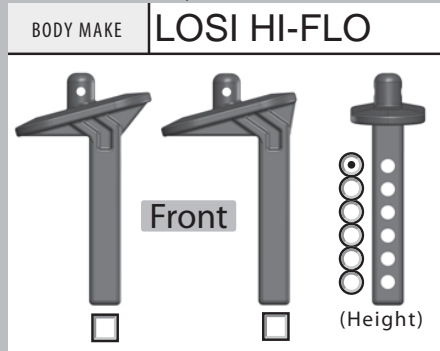
Rear End:



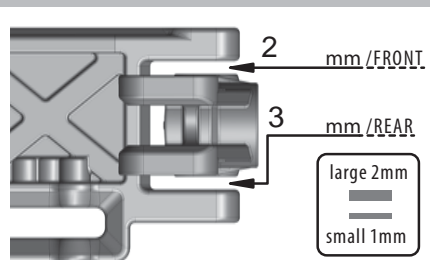
Suspension:

	FRONT	REAR
RIDE HEIGHT	26	26
CAMBER	-1	-2
TOE (in/out)	1 OUT	3.5 (MIDDLE DOT)
SWAY BAR	2.2	2.2
SHOCK LENGTH (DROOP)	102	119

Body/Mounts:



Wheelbase:



Notes:

BATTERY TO REAR OF TRAY

Shocks:

	FRONT	REAR
OIL	LOSI 40	LOSI 30
PISTON	10 X 1.2	10 X 1.2
SPRING	BLACK	GREEN
REBOUND	FULL %	FULL %
STD/EMUL/VENT	STD	STD

Tires / Wheels:

	FRONT	REAR
BRAND/TREAD	AKA WISHBONES	AKA WISHBONES
COMPOUND	SUPER SOFT	SUPER SOFT
INSERT	AKA RED	AKA RED
WHEEL	AKA	AKA

NOTES: SC10 4X4 WHEEL (PART#23005)

Differential Oil:

FRONT	CENTER	REAR
PTRC 9K	PTRC 12K	PTRC 7K

Electronics:

ESC:	TEKIN RX8
Battery:	PROTEK
Motor:	TEKIN 4600KV
Radio:	KO PROPO
Servo:	HITEC 7955

Drivetrain:

SPUR GEAR	Metal <input type="checkbox"/> Composite <input checked="" type="checkbox"/>
Traktion Drive	<input type="checkbox"/> Elektri-Clutch <input type="checkbox"/> Pinion <input checked="" type="checkbox"/>
PINION SIZE	16 (teeth)
Mechanical Brakes	<input type="checkbox"/> Motor Brakes <input type="checkbox"/>

Chassis Braces:

Front <input checked="" type="checkbox"/>	Middle <input type="checkbox"/>	Rear <input type="checkbox"/>
(front brace is always recommended)		