

Name: Michael Asher

Date: 4/10/2015

Event/Track: Starting Setup

Track Conditions: Outdoor Indoor Wet Dry High Bite Low Bite Rough
 Smooth Hard Packed Loose/Loamy Blue Groove

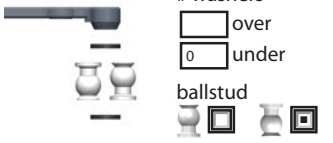
Bumpsteer/Ackerman/Servo Saver/Steering Stop:

washers

over

under

ballstud




washers

over

under

ballstud



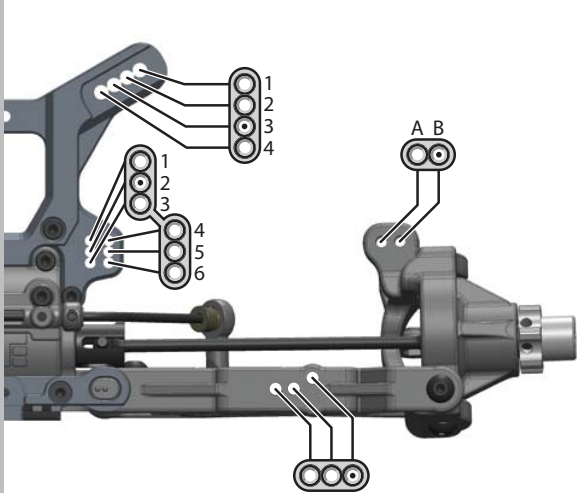
front

middle

rear

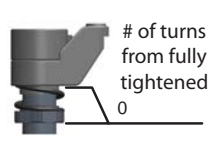


Front End:



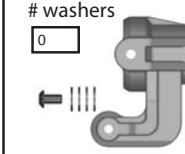
of turns from fully tightened

0



washers

0



Suspension:

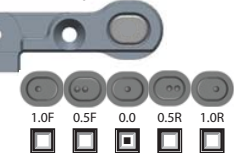
	FRONT	REAR
RISE HEIGHT:	37mm	37mm
TOE (in/out):	2 out	3 in
CAMBER:	-1	-1
CASTER:	10 Deg°	
SHOCK LENGTH (DROOP):	Adjust to track	Adjust to track
SWAY BAR:	2.5	2.6

NOTES:

Body/Wing:

BODY:	
WING:	

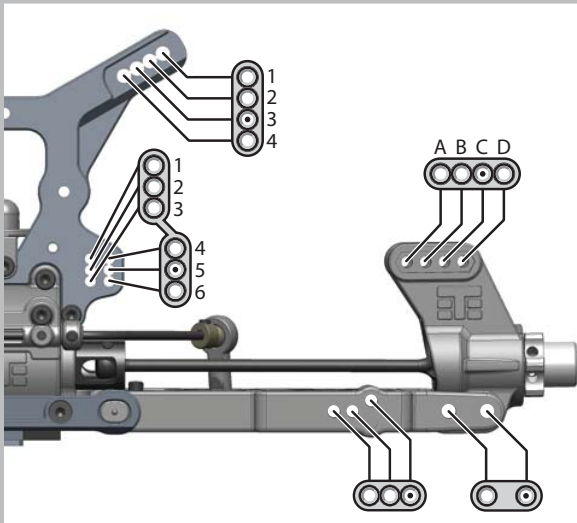
Front Outer (Sweep)

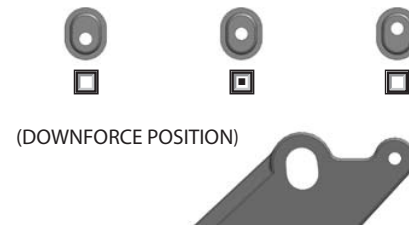


Front Inner (Kick Up)



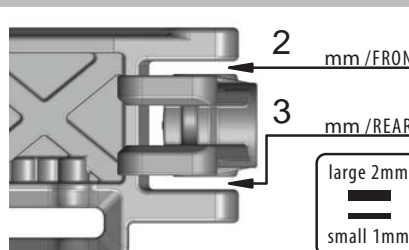
Rear End:



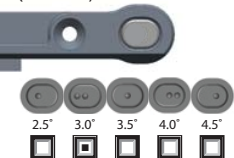


(DOWNFORCE POSITION)

Wheelbase:



Rear Outer (Toe In)



Rear Inner (Anti-Squat)



Notes:

	FRONT	REAR
STD/EMUL/VENT:	Vented	Vented
PISTON:	6 x 1.5	6 x 1.5
OIL:	600	500
BLADDER:	Stock	Stock
REBOUND:	0 %	0 %
SPRING:	Green	Green

NOTES:

Tires / Wheels:

	FRONT	REAR
BRAND:	Proline	Proline
TREAD:	Holeshot	Holeshot
COMPOUND:	M3	M3
INSERT:	Proline	Proline
WHEEL:	Proline	Proline

NOTES:

Differential Oil:

	FRONT	CENTER	REAR
	7	15	5

NOTES:

Equipment:

ENGINE:	RC Concept MC5
PIPE:	2046
PLUG:	P4
FUEL:	VP
RX BATT:	Track power
SERVO:	steering Savox 2270 / throttle/brake Savox1268

Drivetrain:

CLUTCH/SPUR:	Stock / Stock (teeth)
CLUTCH SHOES:	Tekno
CLUTCH SPRINGS:	2 x 1.0 / 2 x 1.1
ENGINE POSITION:	Front <input type="checkbox"/> Rear <input type="checkbox"/>
BRAKE BIAS:	40 ^{front} % 60 ^{rear} %

Chassis Braces:

Center <input type="checkbox"/> Rear Left <input type="checkbox"/> Rear Right <input type="checkbox"/>
--