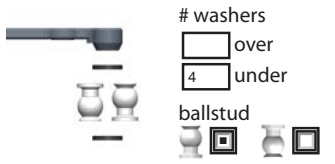
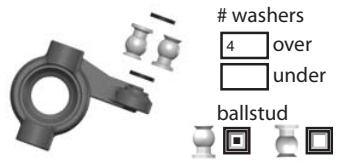
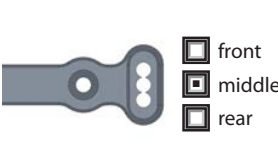


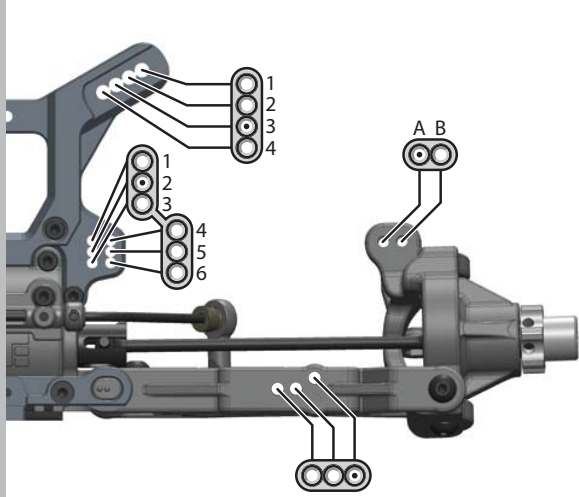
Name: _____ Date: _____ Event/Track: _____

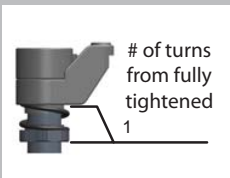
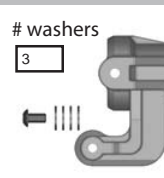
Track Conditions: Outdoor Indoor Wet Dry High Bite Low Bite Rough
 Smooth Hard Packed Loose/Loamy Blue Groove

Bumpsteer/Ackerman/Servo Saver/Steering Stop:

 <p># washers <input type="checkbox"/> over <input type="checkbox"/> 4 under ballstud <input type="checkbox"/> <input type="checkbox"/></p>	 <p># washers <input type="checkbox"/> 4 over <input type="checkbox"/> under ballstud <input type="checkbox"/> <input type="checkbox"/></p>	 <p><input type="checkbox"/> front <input type="checkbox"/> middle <input type="checkbox"/> rear</p>
---	--	--

Front End:



 <p># of turns from fully tightened 1</p>	 <p># washers 3</p>
--	---

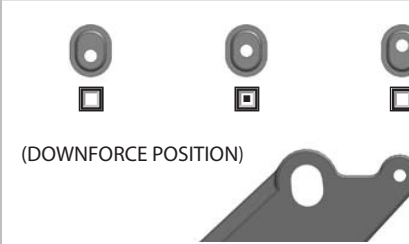
Suspension:

	FRONT	REAR
RISE HEIGHT:	37	37
TOE (in/out):	2 out	3 in
CAMBER:	2.5	3
CASTER:	stk Deg°	
SHOCK LENGTH (DROOP):	stk	stk
SWAY BAR:	stk	stk

NOTES:

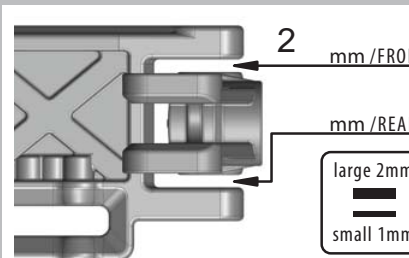
Body/Wing:

BODY:	stk
WING:	stk



(DOWNFORCE POSITION)

Wheelbase:



Notes:

cut out holes in windshield for airflow to engine
 losi buggy clutch set up on stock flywheel

	FRONT	REAR
STD/EMUL/VENT:	std	std
PISTON:	stk 8 hole	stk 8 hole
OIL:	600	550
BLADDER:	grey	grey
REBOUND:	50 %	50 %
SPRING:	stk	stk

NOTES:

Tires / Wheels:

	FRONT	REAR
BRAND:	proline	proline
TREAD:	blockade	
COMPOUND:	m3	
INSERT:	stk	
WHEEL:	vtr	

NOTES:

Differential Oil:

	FRONT	CENTER	REAR
	7	10	5

NOTES:

Equipment:

ENGINE:	FX
PIPE:	2108
PLUG:	p3
FUEL:	VP
RX BATT:	lipo
SERVO:	steering hitec / throttle/brake hitec

Drivetrain:

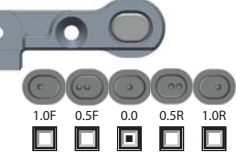
CLUTCH/SPUR:	(teeth)	
CLUTCH SHOES:	losi AL/carbon	
CLUTCH SPRINGS:	green/gold	
ENGINE POSITION:	Front <input type="checkbox"/>	Rear <input type="checkbox"/>

BRAKE BIAS:	20 ^{front} %	80 ^{rear} %
-------------	-----------------------	----------------------

Chassis Braces:

Center <input type="checkbox"/>	Rear Left <input type="checkbox"/>	Rear Right <input type="checkbox"/>
---------------------------------	------------------------------------	-------------------------------------

Front Outer (Sweep)



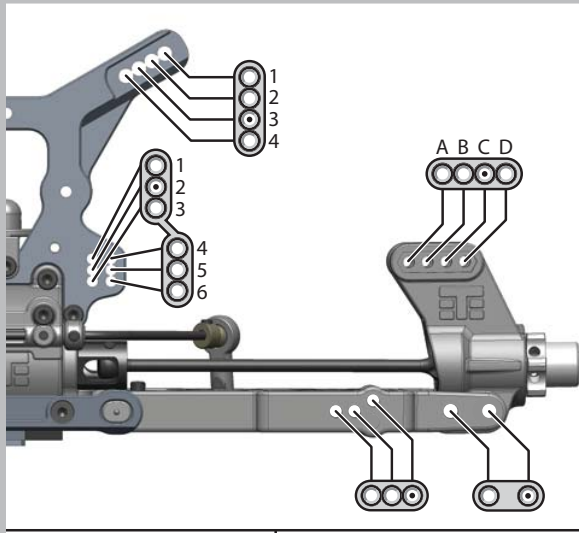
1.0F 0.5F 0.0 0.5R 1.0R

Front Inner (Kick Up)

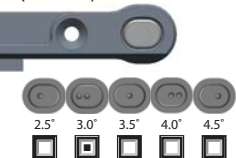


10.0° 10.5° 11.0° 11.5° 12.0°

Rear End:

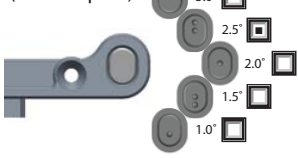


Rear Outer (Toe In)



2.5° 3.0° 3.5° 4.0° 4.5°

Rear Inner (Anti-Squat)



3.0° 2.5° 2.0° 1.5° 1.0°