




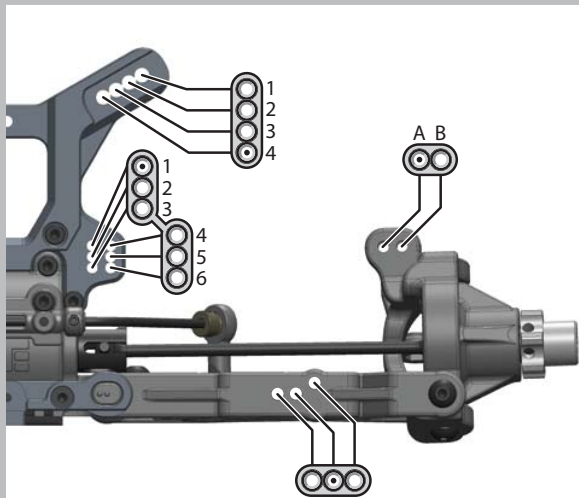
Name: Chad Panek Date: 5/17/14 Event/Track: Thorn Hill Lone Star Nats Warmup

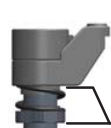
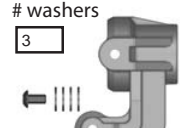
Track Conditions: Outdoor Indoor Wet Dry High Bite Low Bite Rough
 Smooth Hard Packed Loose/Loamy Blue Groove

Bumpsteer/Ackerman/Servo Saver/Steering Stop:

 <p># washers 2 over 2 under ballstud</p>	 <p># washers 6 over 0 under ballstud</p>	 <p><input type="checkbox"/> front <input checked="" type="checkbox"/> middle <input type="checkbox"/> rear</p>
--	---	--

Front End:



 <p># of turns from fully tightened 2</p>	 <p># washers 3</p>
---	--

Suspension:

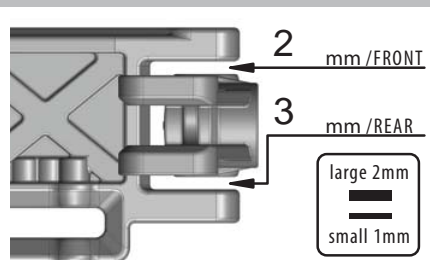
	FRONT	REAR
RIDE HEIGHT:	38	40
TOE (in/out):	0	
CAMBER:	-2	-2
CASTER:	15 Deg°	
SHOCK LENGTH (DROOP):	121	132
SWAY BAR:	2.6	2.6

NOTES:

Body/Wing:

BODY:	Stock
WING:	Stock

Wheelbase:



Notes:

FRONT REAR

STD/EMUL/VENT:	vent	vent
PISTON:	1.3x8	1.3x8
OIL:	650	550
BLADDER:	yes	yes
REBOUND:	5 %	5 %
SPRING:	green	green

NOTES:

Tires / Wheels:

	FRONT	REAR
BRAND:	Proline	Proline
TREAD:	Holeshot	Holeshot
COMPOUND:	x3	x3
INSERT:	Proline	Proline
WHEEL:	Proline	Proline

NOTES:

Differential Oil:

	FRONT	CENTER	REAR
	20	20	10

NOTES:

Equipment:

ENGINE:	LRP
PIPE:	os 2060
PLUG:	p3
FUEL:	Byrons World 30
RX BATT:	2100 Venom
SERVO:	steering ko torque / throttle/brake ko speed

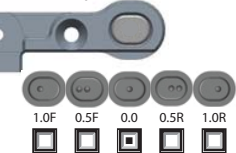
Drivetrain:

CLUTCH/SPUR:	13 / stock (teeth)
CLUTCH SHOES:	stock
CLUTCH SPRINGS:	2 green 2 gold
ENGINE POSITION:	Front <input checked="" type="checkbox"/> Rear <input type="checkbox"/>
BRAKE BIAS:	50% front 50% rear

Chassis Braces:

Center Rear Left Rear Right

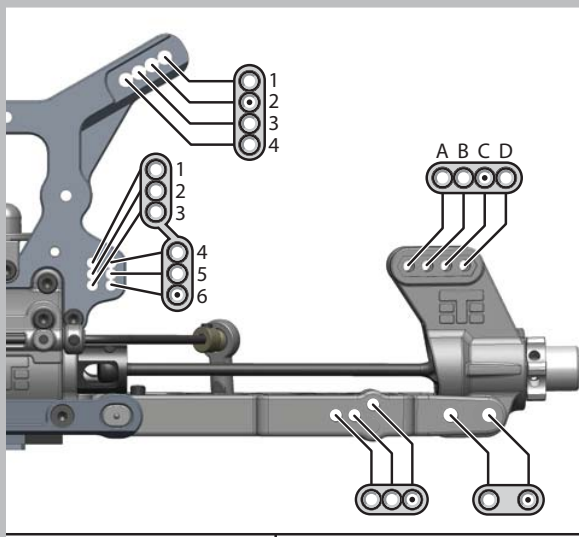
Front Outer (Sweep)



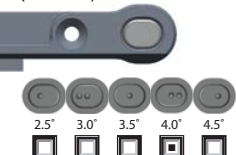
Front Inner (Kick Up)



Rear End:



Rear Outer (Toe In)



Rear Inner (Anti-Squat)

