




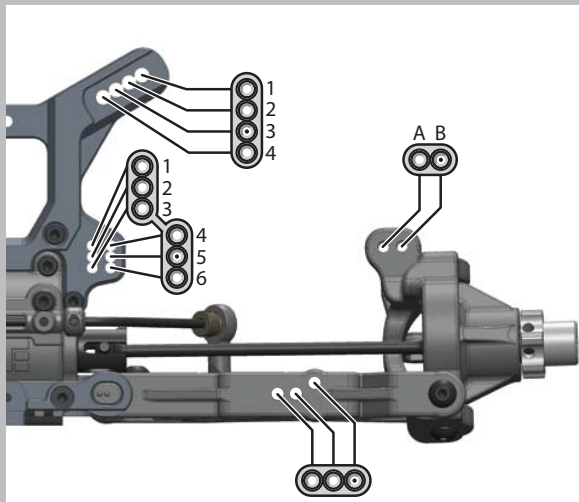
Name: **DANNY LEWIS** Date: Event/Track:

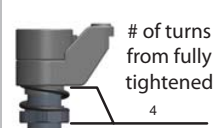
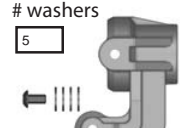
Track Conditions: Outdoor Indoor Wet Dry High Bite Low Bite Rough
 Smooth Hard Packed Loose/Loamy Blue Groove

Bumpsteer/Ackerman/Servo Saver/Steering Stop:

 <p># washers <input type="checkbox"/> over <input type="checkbox"/> under ballstud <input type="checkbox"/> <input checked="" type="checkbox"/></p>	 <p># washers <input type="checkbox"/> over <input type="checkbox"/> under ballstud <input checked="" type="checkbox"/> <input type="checkbox"/></p>	 <p><input type="checkbox"/> front <input type="checkbox"/> middle <input checked="" type="checkbox"/> rear</p>
--	---	--

Front End:



 <p># of turns from fully tightened 4</p>	 <p># washers 5</p>
--	---

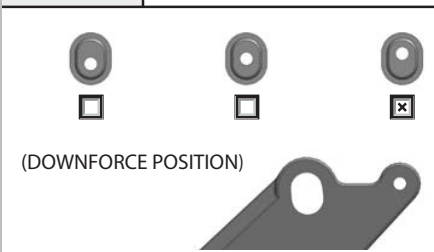
Suspension:

	FRONT	REAR
RIDE HEIGHT:	27	28
TOE (in/out):	+2	
CAMBER:		-2
CASTER:	15 Deg°	
SHOCK LENGTH (DROOP):	106	120
SWAY BAR:	2.6	2.3

NOTES:

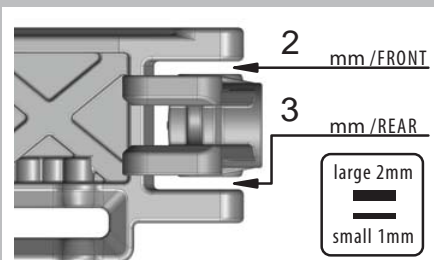
Body/Wing:

BODY:	
WING:	



(DOWNFORCE POSITION)

Wheelbase:



Notes:

INSERTS DOWN ON OUTSIDE

	FRONT	REAR
STD/EMUL/VENT:	STD	STD
PISTON:	6X1.5	6X1.5
OIL:	450	350
BLADDER:	YES	YES
REBOUND:	100 %	100 %
SPRING:	PINK	RED

NOTES:

Tires / Wheels:

	FRONT	REAR
BRAND:		
TREAD:		
COMPOUND:		
INSERT:		
WHEEL:		

NOTES:

Differential Oil:

FRONT	CENTER	REAR
5	5	5

NOTES:

Equipment:

ENGINE:	
PIPE:	
PLUG:	
FUEL:	
RX BATT:	
SERVO:	steering / throttle/brake

Drivetrain:

CLUTCH/SPUR:		(teeth)
CLUTCH SHOES:		
CLUTCH SPRINGS:	2 GREEN 2 GOLD	
ENGINE POSITION:	Front <input checked="" type="checkbox"/>	Rear <input type="checkbox"/>
BRAKE BIAS:	front 55 %	rear 45 %

Chassis Braces:

Center Rear Left Rear Right

Front Outer (Sweep)



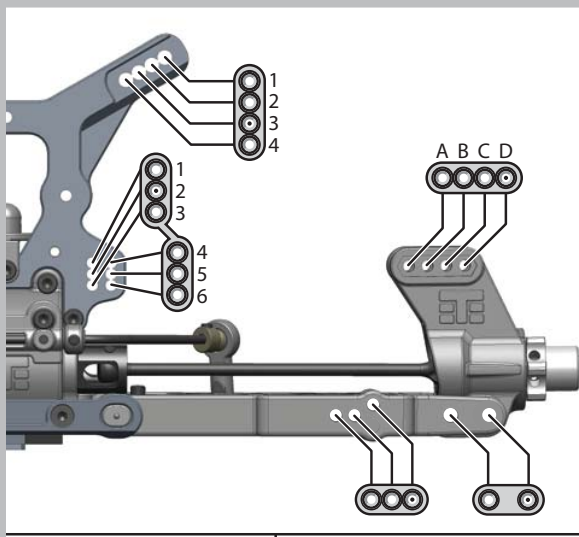
1.0F 0.5F 0.0 0.5R 1.0R

Front Inner (Kick Up)

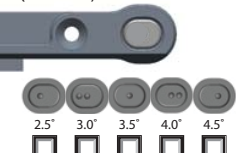


12.0" 11.5" 11.0" 10.5" 10.0"

Rear End:

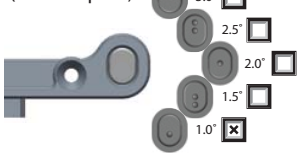


Rear Outer (Toe In)



2.5" 3.0" 3.5" 4.0" 4.5"

Rear Inner (Anti-Squat)



3.0" 2.5" 2.0" 1.5" 1.0"