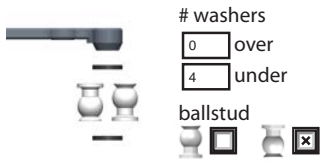
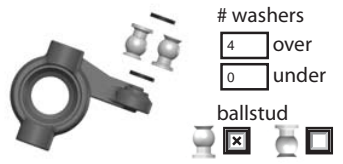
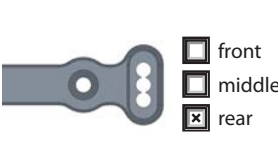


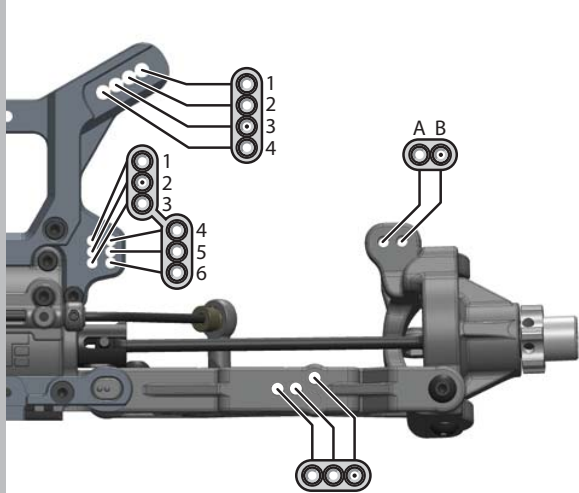
Name: Aaron "madweazl" Weigand Date: 26 Aug 14 Event/Track: Revelation, Ontario CA

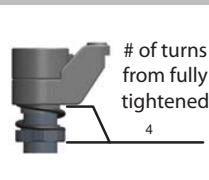
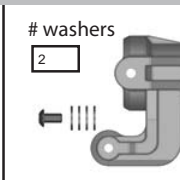
Track Conditions: Outdoor Indoor Wet Dry High Bite Low Bite Rough
 Smooth Hard Packed Loose/Loamy Blue Groove

Bumpsteer/Ackerman/Servo Saver/Steering Stop:

 <p># washers <input type="checkbox"/> over <input checked="" type="checkbox"/> under ballstud <input type="checkbox"/> <input checked="" type="checkbox"/></p>	 <p># washers <input type="checkbox"/> over <input type="checkbox"/> under ballstud <input checked="" type="checkbox"/> <input type="checkbox"/></p>	 <p><input type="checkbox"/> front <input checked="" type="checkbox"/> middle <input type="checkbox"/> rear</p>
---	---	---

Front End:



 <p># of turns from fully tightened 4</p>	 <p># washers 2</p>
--	---

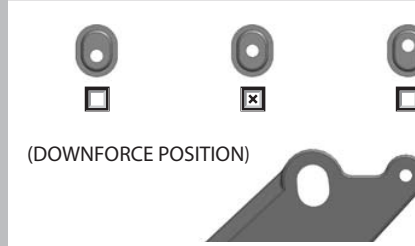
Suspension:

	FRONT	REAR
RIDE HEIGHT:	27	27
TOE (in/out):	1° Out	
CAMBER:	-1°	-1°
CASTER:	15 Deg°	
SHOCK LENGTH (DROOP):	106	120
SWAY BAR:	2.6	2.5

NOTES:

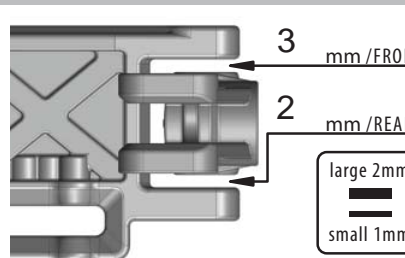
Body/Wing:

BODY:	Stock
WING:	JConcepts High Downforce



(DOWNFORCE POSITION)

Wheelbase:



Notes:

LRC rear block
 Medium to high bite track w/couple ruts but pretty smooth for the most part

	FRONT	REAR
STD/EMUL/VENT:	STD	STD
PISTON:	10x1.2	10x1.2
OIL:	47.5 (AE)	40 (AE)
BLADDER:	Grey	Grey
REBOUND:	10 %	10 %
SPRING:	Pink	Red

NOTES:

Tires / Wheels:

	FRONT	REAR
BRAND:	Proline	Proline
TREAD:	Blockade	Blockade
COMPOUND:	M3	M3
INSERT:	Proline	Proline
WHEEL:	Proline	Proline

NOTES:

Differential Oil:

	FRONT	CENTER	REAR
	5	5	5

NOTES:

Equipment:

ENGINE:	Werks B6 Pro
PIPE:	Sirio 2013
PLUG:	Werks
FUEL:	VP 30%
RX BATT:	Reedy 2100
SERVO:	steering / Hitec 7950 / throttle/brake / Hitec 7940

Drivetrain:

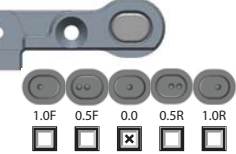
CLUTCH/SPUR:	15 / 44 (teeth)
CLUTCH SHOES:	Stock 7075
CLUTCH SPRINGS:	2 GREEN 2 GOLD
ENGINE POSITION:	Front <input checked="" type="checkbox"/> Rear <input type="checkbox"/>

BRAKE BIAS:	front 45 % rear 55 %
-------------	----------------------

Chassis Braces:

Center <input type="checkbox"/> Rear Left <input checked="" type="checkbox"/> Rear Right <input type="checkbox"/>

Front Outer (Sweep)



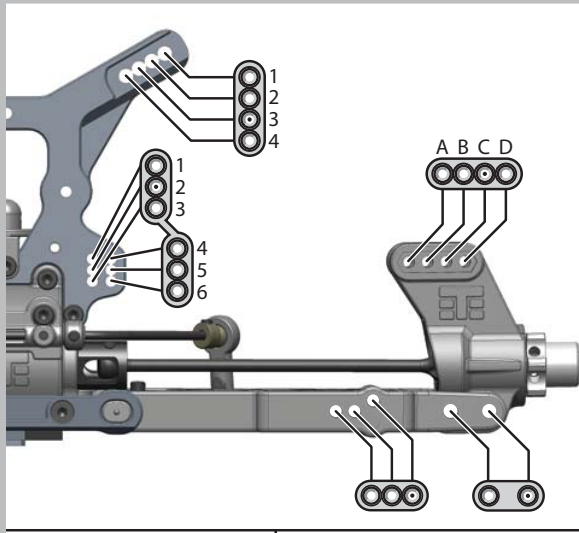
1.0F 0.5F 0.0 0.5R 1.0R

Front Inner (Kick Up)

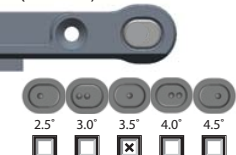


12.0° 11.5° 11.0° 10.5° 10.0°

Rear End:

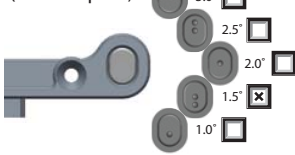


Rear Outer (Toe In)



2.5° 3.0° 3.5° 4.0° 4.5°

Rear Inner (Anti-Squat)



3.0° 2.5° 2.0° 1.5° 1.0°