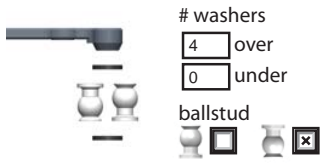
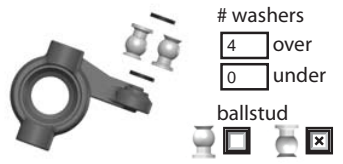
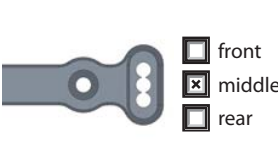


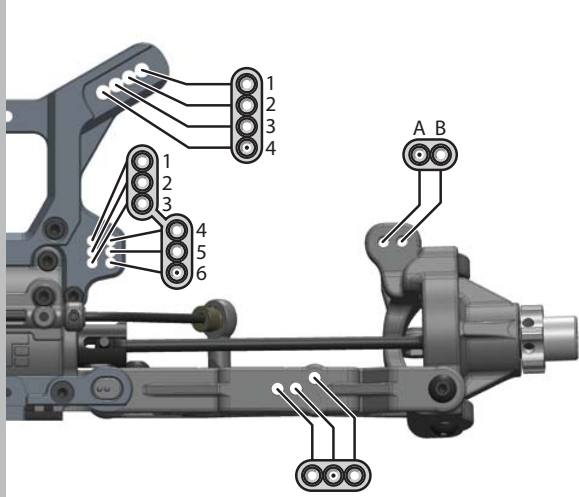
Name: Sean Ramos      Date:      Event/Track: Outdoor Loose

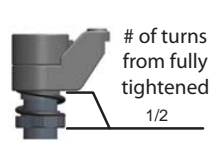
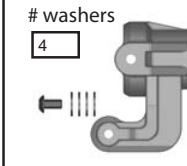
Track Conditions:    Outdoor     Indoor     Wet     Dry     High Bite     Low Bite     Rough   
 Smooth     Hard Packed     Loose/Loamy     Blue Groove

### Bumpsteer/Ackerman/Servo Saver/Steering Stop:

 <p># washers  <input type="checkbox"/> 4 over  <input type="checkbox"/> 0 under                  ballstud  <input type="checkbox"/> <input checked="" type="checkbox"/></p>	 <p># washers  <input type="checkbox"/> 4 over  <input type="checkbox"/> 0 under                  ballstud  <input type="checkbox"/> <input checked="" type="checkbox"/></p>	 <p><input type="checkbox"/> front  <input checked="" type="checkbox"/> middle  <input type="checkbox"/> rear</p>
--	---	---

### Front End:



 <p># of turns from fully tightened 1/2</p>	 <p># washers  <input type="checkbox"/> 4</p>
--	---

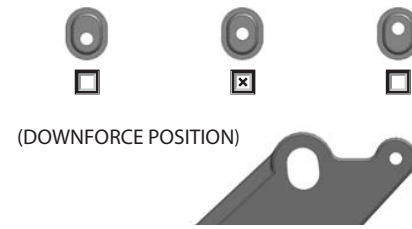
### Suspension:

	FRONT	REAR
RIDE HEIGHT:	27	28
TOE (in/out):	2	3.5
CAMBER:	1.5	2
CASTER:	15 Deg°	
SHOCK LENGTH (DROOP):	104.8	122
SWAY BAR:	2.2	2.4

NOTES:

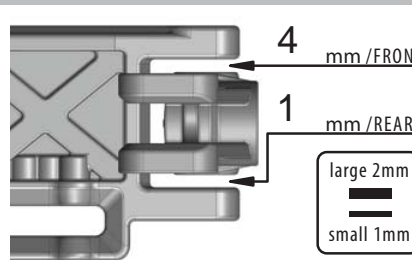
### Body/Wing:

BODY:	Stock
WING:	Stock



(DOWNFORCE POSITION)

### Wheelbase:



4 mm / FRONT  
 1 mm / REAR  
 large 2mm  
 small 1mm

### Notes:

LRC rear brace - 3.5 toe  
 Add more droop for large jumps  
 And or harsh landings

	FRONT	REAR
STD/EMUL/VENT:	Non vent	Non vent
PISTON:	6x1.5	6x1.5
OIL:	600	400
BLADDER:	Stock	Stock
REBOUND:	0 %	0 %
SPRING:	Pink	Red

NOTES:

### Tires / Wheels:

	FRONT	REAR
BRAND:	AKA	AKA
TREAD:		
COMPOUND:		
INSERT:	AKA Red	AKA Red
WHEEL:	AKA	AKA

NOTES:

### Differential Oil:

	FRONT	CENTER	REAR
	5	4	3

NOTES:

### Equipment:

ENGINE:	JQ "The Engine"
PIPE:	OS Speed 2060
PLUG:	P3
FUEL:	Byron's Worlds Blend
RX BATT:	Trakpower 2700
SERVO:	steering / Hi-Tec 7950 / throttle/brake / Hi-Tec 7940

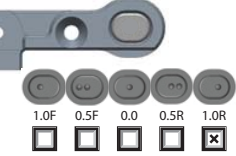
### Drivetrain:

CLUTCH/SPUR:	15 / 44 (teeth)
CLUTCH SHOES:	2 stock 2 losi carbon
CLUTCH SPRINGS:	Green (carbon) Gold (stock)
ENGINE POSITION:	Front <input type="checkbox"/> Rear <input checked="" type="checkbox"/>
BRAKE BIAS:	front 40 % rear 60 %

### Chassis Braces:

Center  Rear Left  Rear Right

### Front Outer (Sweep)



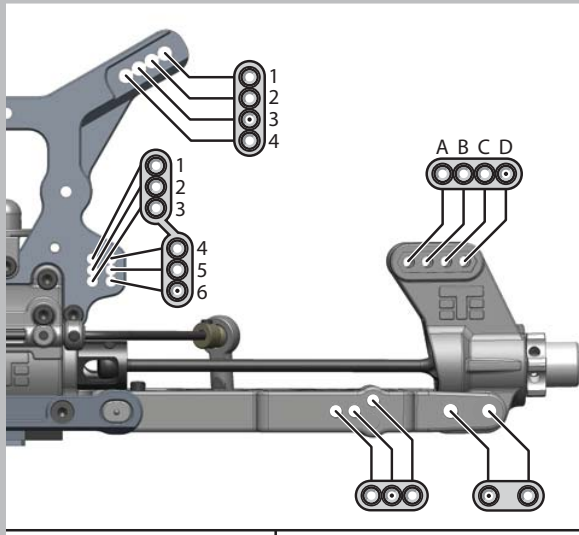
1.0F  0.5F  0.0  0.5R  1.0R

### Front Inner (Kick Up)

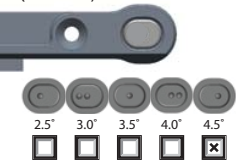


12.0  11.5  11.0  10.5  10.0

### Rear End:



### Rear Outer (Toe In)



2.5  3.0  3.5  4.0  4.5

### Rear Inner (Anti-Squat)



3.0  2.5  2.0  1.5  1.0