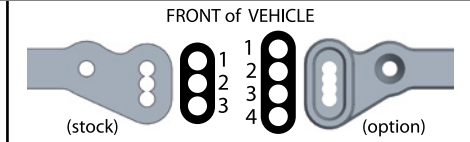


Name: _____ Date: _____ Event: _____

Track: Indoor Outdoor Size: Small Medium Large Traction: Low Med High

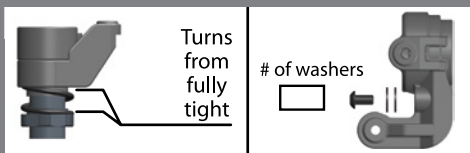
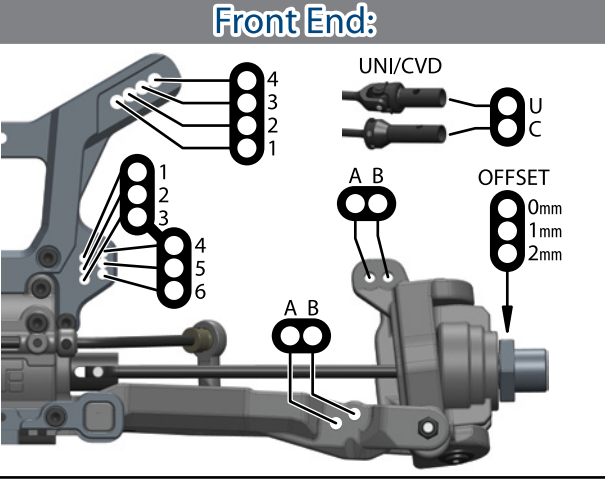
Surface: Smooth Bumpy Rutted Type: Loose/Loamy Hard Pack Blue Groove Clay

Bumpsteer/Ackerman/Servo Saver/Steering Stop: _____ Condition: Dusty Dry Wet Muddy



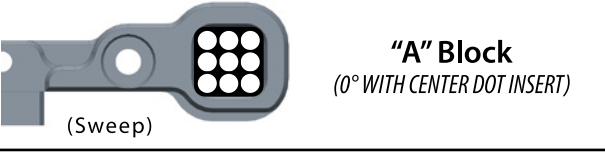
Shocks:

| | FRONT | REAR |
|---------------|-------|------|
| OIL/ BRAND: | | |
| PISTON | | |
| SPRING | | |
| REBOUND | % | % |
| STD/EMUL/VENT | | |
| NOTES: | | |



Tires / Wheels:

| | FRONT | REAR |
|-------------|-------|------|
| BRAND/TREAD | | |
| COMPOUND | | |
| INSERT | | |
| WHEEL | | |
| NOTES: | | |



Suspension:

| | FRONT | REAR |
|----------------------|-------|------|
| RIDE HEIGHT | | |
| CAMBER | | |
| CASTER | | |
| SWEEP | | |
| KICK UP | | |
| ANTI-SQUAT | | |
| TOE (in/out) | | |
| SWAY BAR | | |
| SHOCK LENGTH (DROOP) | | |

Differential Oil:

| | FRONT | CENTER | REAR |
|--|-------|--------|------|
| | | | |

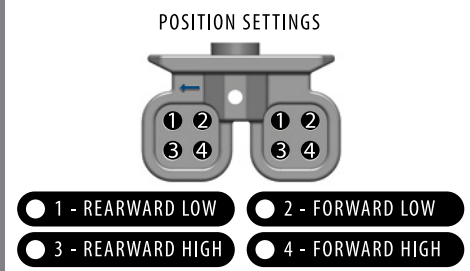
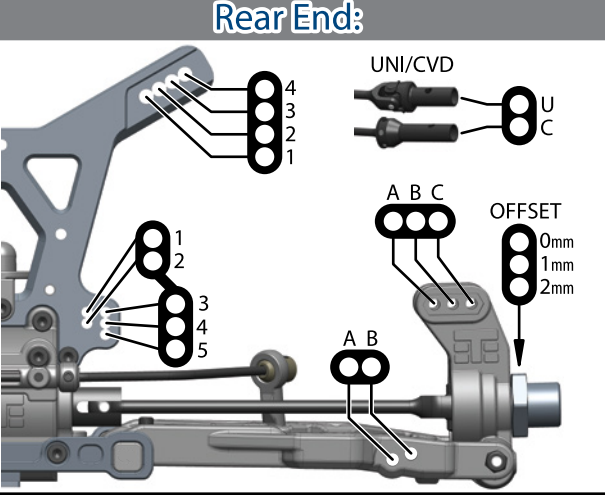


Body/Wing:

| | |
|-----------|--|
| BODY MAKE | |
| WING MAKE | |

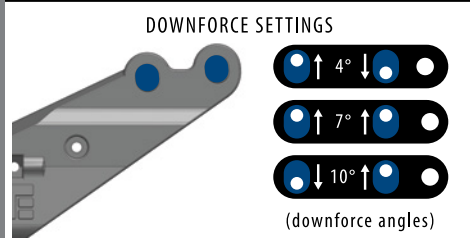
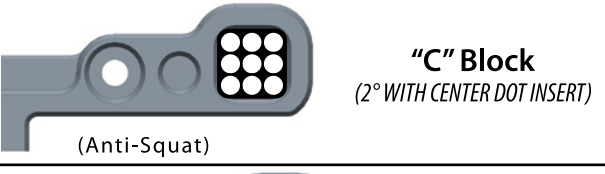
Equipment:

| | |
|---------------|-------------------------------|
| ENGINE/ PIPE: | / |
| FUEL/ PLUG: | / |
| RX BATT: | |
| SERVOS: | (steering) / (throttle/brake) |



Drivetrain:

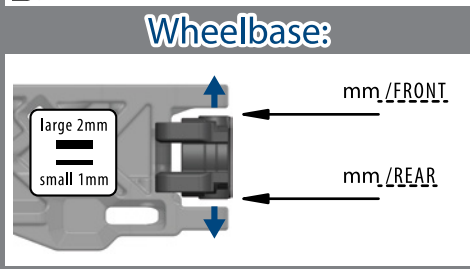
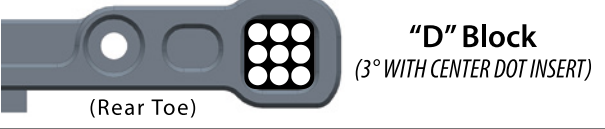
| | | |
|-----------------|-----------|----------|
| CLUTCH/SPUR: | / | (teeth) |
| CLUTCH SHOES: | | |
| CLUTCH SPRINGS: | | |
| BRAKE BIAS: | (front) % | (rear) % |



Chassis Braces:

Center Diff Left Rear R Rear Short R Rear Long

(front brace is always used)



Notes:

| |
|--|
| |
| |
| |

