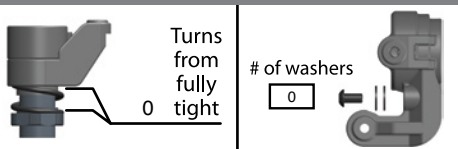
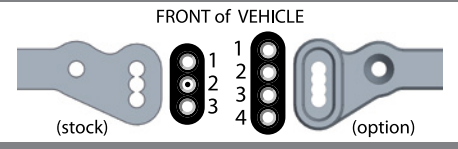
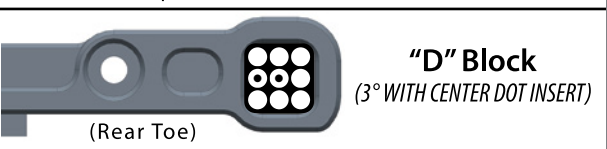
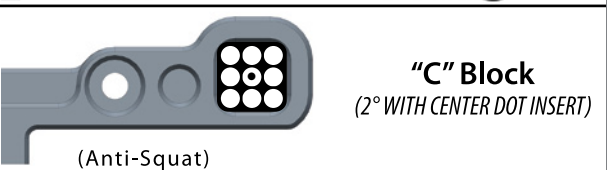
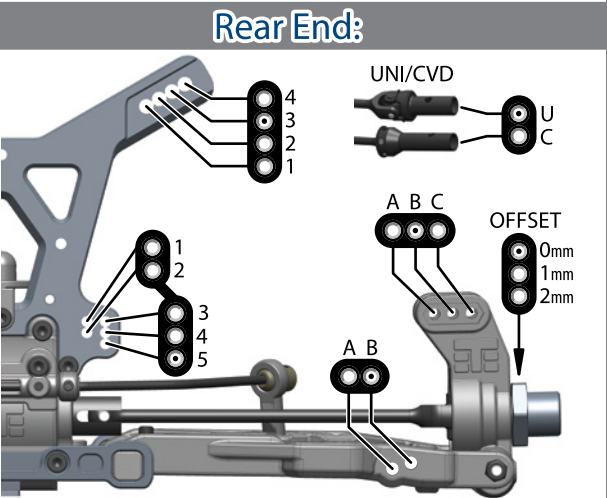
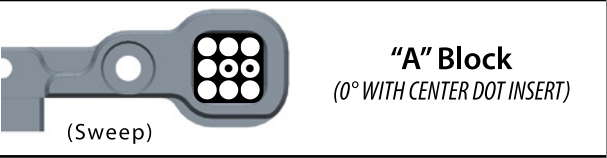
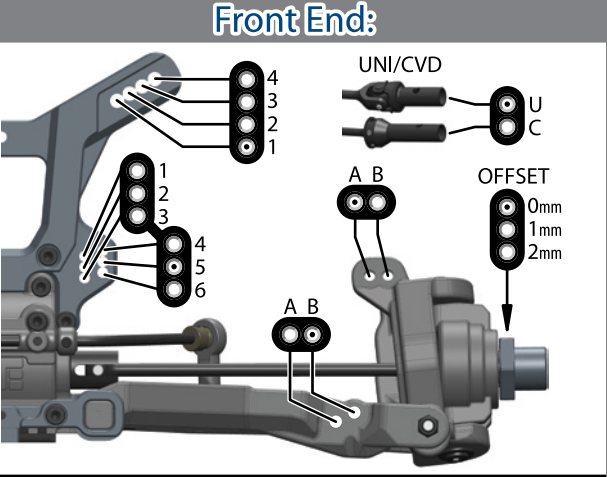


Name: Ricardo Monteiro Date: Jan 26 2017 Event: Oleiros Track Basic Setup

Track: Indoor Outdoor Size: Small Medium Large Traction: Low Med High

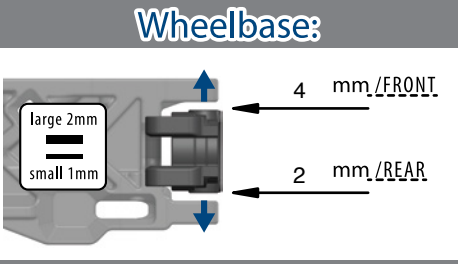
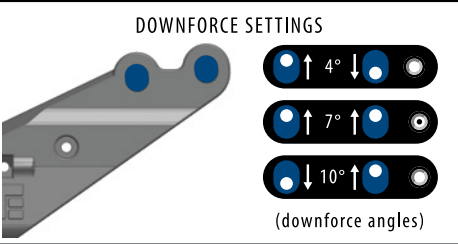
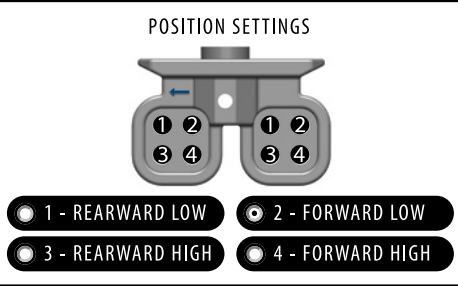
Surface: Smooth Bumpy Rutted Type: Loose/Loamy Hard Pack Blue Groove Clay

Bumpsteer/Ackerman/Servo Saver/Steering Stop: _____ Condition: Dusty Dry Wet Muddy



| Suspension: | | |
|----------------------|-------|------|
| | FRONT | REAR |
| RIDE HEIGHT | 23 | 28 |
| CAMBER | -2 | -2 |
| CASTER | | |
| SWEEP | | |
| KICK UP | | |
| ANTI-SQUAT | | |
| TOE (in/out) | | |
| SWAY BAR | 2.3 | 2.5 |
| SHOCK LENGTH (DROOP) | 120 | 135 |

| Body/Wing: | |
|------------|------------------|
| BODY MAKE | Tekno |
| WING MAKE | lexan with holes |



| | Shocks: | |
|---------------|---------|---------|
| | FRONT | REAR |
| OIL/ BRAND: | 42,5 wt | 42,5 wt |
| PISTON | 4x1.9 | 4x1.9 |
| SPRING | grey | orange |
| REBOUND | min % | min % |
| STD/EMUL/VENT | emul | emul |
| NOTES: | | |

| | Tires/Wheels: | |
|-------------|---------------|------|
| | FRONT | REAR |
| BRAND/TREAD | | |
| COMPOUND | | |
| INSERT | | |
| WHEEL | | |
| NOTES: | | |

| Differential Oil: | | |
|-------------------|--------|------|
| FRONT | CENTER | REAR |
| 7 | 7 | 5 |

| Equipment: | | |
|---------------|--------------|------------------|
| ENGINE/ PIPE: | Reds / | 2104 |
| FUEL/ PLUG: | Labema / | T5C |
| RX BATT: | LRP | |
| SERVOS: | (steering) / | (throttle/brake) |

| Drivetrain: | | |
|-----------------|----------------|-------------|
| CLUTCH/SPUR: | 13 / | 48 (teeth) |
| CLUTCH SHOES: | | |
| CLUTCH SPRINGS: | | |
| BRAKE BIAS: | (front) 60 % / | (rear) 40 % |

| Chassis Braces: | | | | |
|------------------------------|-----------|--------------|-------------|--|
| Center Diff | Left Rear | R Rear Short | R Rear Long | |
| (front brace is always used) | | | | |

Notes:
39/12 front, 40/12 rear
scrubbed the spindle for more throw