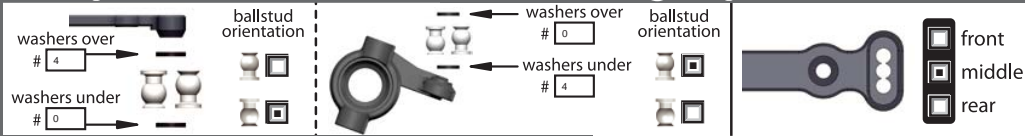


**Name:** Shaun Kirkman **Date:** 2015/2016 **Event:** \_\_\_\_\_

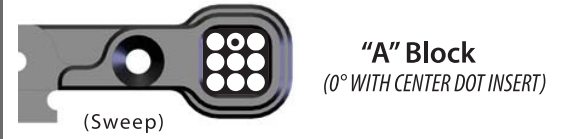
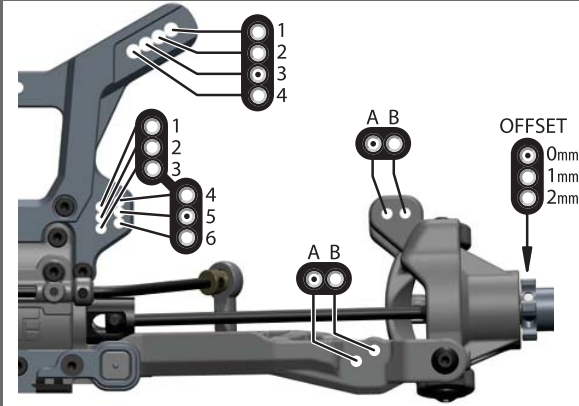
**Track:** Indoor  Outdoor  **Size:** Small  Medium  Large  **Traction:** Low  Med  High

**Surface:** Smooth  Bumpy  Rutted  **Type:** Loose/Loamy  Hard Pack  Blue Groove  Clay

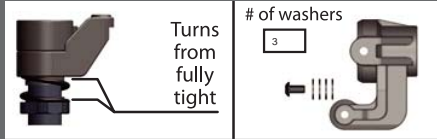
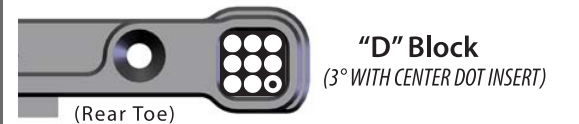
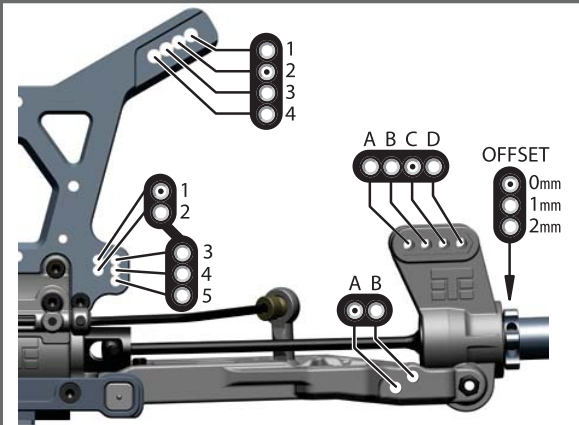
**Bumpsteer/Ackerman/Servo Saver/Steering Stop:** \_\_\_\_\_ **Condition:** Dusty  Dry  Wet  Muddy



### Front End:



### Rear End:



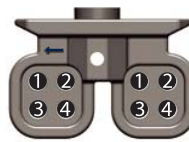
### Suspension:

	FRONT	REAR
RIDE HEIGHT	27mm	29mm
CAMBER	-2	-3
CASTER	15deg	
SWEEP	0	
KICK UP		
ANTI-SQUAT		1deg
TOE (in/out)	1.5out	3deg
SWAY BAR	2.4	2.4
SHOCK LENGTH (DROOP)	120	136

### Body/Wing:

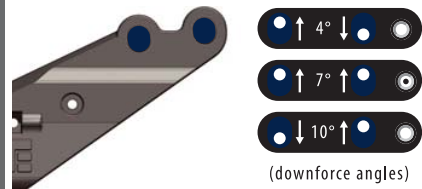
BODY MAKE	stock
WING MAKE	stock/clear trifecta

### POSITION SETTINGS

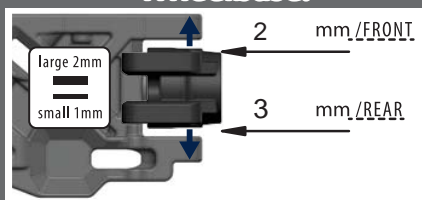


- 1 - REARWARD LOW
- 2 - FOREWARD LOW
- 3 - REARWARD HIGH
- 4 - FOREWARD HIGH

### DOWNFORCE SETTINGS



### Wheelbase:



### Shocks:

	FRONT	REAR
OIL	35	35
BRAND	TLR	TLR
PISTON	4x1.8	4x1.8
SPRING	pink	red
REBOUND	10 %	10 %
STD/EMUL/VENT	std	std

NOTES:

### Tires/Wheels:

	FRONT	REAR
BRAND/TREAD	PL	PL
COMPOUND	PL	PL
INSERT	PL	PL
WHEEL	PL	pL

NOTES:

### Differential Oil:

	FRONT	CENTER	REAR
	7000	7000	5000

### Equipment:

ENGINE/PIPE:	SH PT2015 / SH2060
PLUG:	SH T4
FUEL:	Sidewinder 30%
RX BATT:	Protek
SERVOS:	(steering) Hitec8370 / (throttle/brake) Hitec8370

### Drivetrain:

CLUTCH/SPUR:	15 / 46 (teeth)
CLUTCH SHOES:	Tekno 4-shoe
CLUTCH SPRINGS:	green/gold
BRAKE BIAS:	(front) 30 % / (rear) 70 %

### Chassis Braces:

Center <input type="checkbox"/> Left Rear <input type="checkbox"/> Right Rear <input type="checkbox"/>
(front brace is always recommended)

### Notes:

no center brace or short rear brace