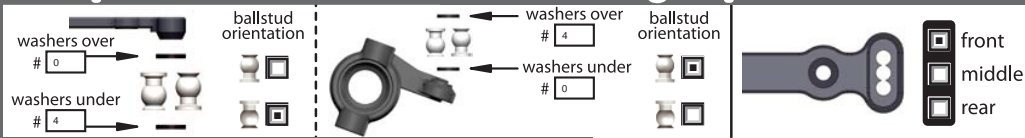


Name: Bill Mason **Date:** Nov 7/15 **Event:** Fear Farm Club Race

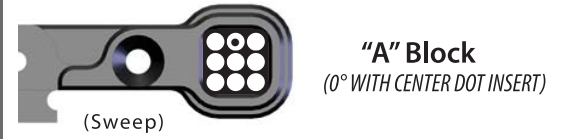
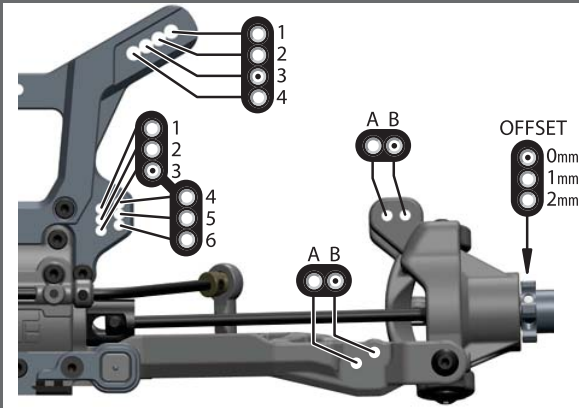
Track: Indoor Outdoor **Size:** Small Medium Large **Traction:** Low Med High

Surface: Smooth Bumpy Rutted **Type:** Loose/Loamy Hard Pack Blue Groove Clay

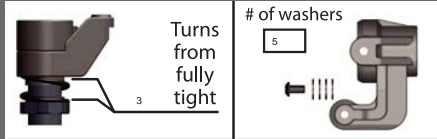
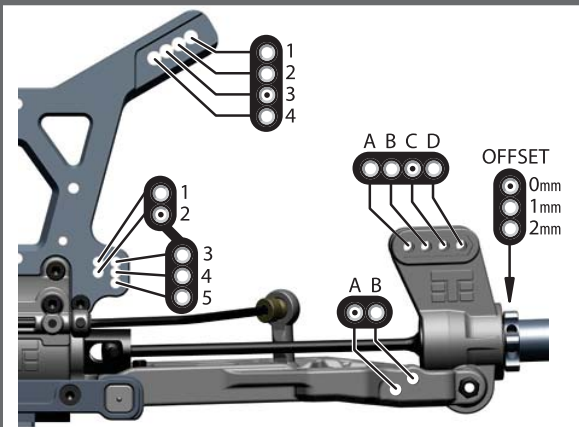
Bumpsteer/Ackerman/Servo Saver/Steering Stop: **Condition:** Dusty Dry Wet Muddy



Front End:



Rear End:



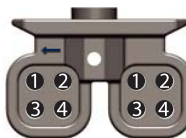
Suspension:

	FRONT	REAR
RIDE HEIGHT	27	27
CAMBER	-1	-2
CASTER	15 Trailing	
SWEEP	1	
KICK UP	12	
ANTI-SQUAT		0
TOE (in/out)	1 out	3.5
SWAY BAR	2.5	2.5
SHOCK LENGTH (DROOP)	121	136

Body/Wing:

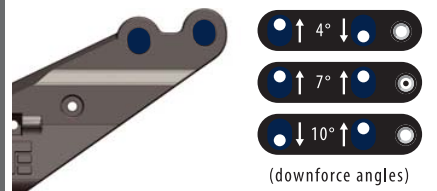
BODY MAKE	Tekno
WING MAKE	Tekno

POSITION SETTINGS

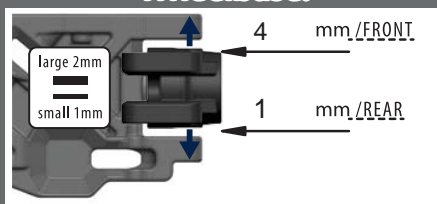


- 1 - REARWARD LOW
- 2 - FOREWARD LOW
- 3 - REARWARD HIGH
- 4 - FOREWARD HIGH

DOWNFORCE SETTINGS



Wheelbase:



Shocks:

	FRONT	REAR
OIL	500	550
BRAND	Bones	Bones
PISTON	4 x 1.8	4 x 1.8
SPRING	Green	Orange
REBOUND	min %	min %
STD/EMUL/VENT	STD	STD

NOTES:

Tires/Wheels:

	FRONT	REAR
BRAND/TREAD	JConcepts	Reflex
COMPOUND	soft	same
INSERT	blue	same
WHEEL		

NOTES:

Differential Oil:

	FRONT	CENTER	REAR
	7	7	3

Equipment:

ENGINE/PIPE:	OS 2101 / 2090
PLUG:	P4
FUEL:	Bones
RX BATT:	ProTech
SERVOS:	(steering) Fut S9353HV / (throttle/brake) Same

Drivetrain:

CLUTCH/SPUR:	13 / 46 (teeth)
CLUTCH SHOES:	BUKU
CLUTCH SPRINGS:	4/5/6 lbs force
BRAKE BIAS:	(front) 40 % / (rear) 60 %

Chassis Braces:

Center <input type="checkbox"/> Left Rear <input type="checkbox"/> Right Rear <input type="checkbox"/>
(front brace is always recommended)

Notes:

9/40 gear ratio on rear diff (ie:truggy rear end)