

Name: Ryan Lutz

Date: 7-26-15

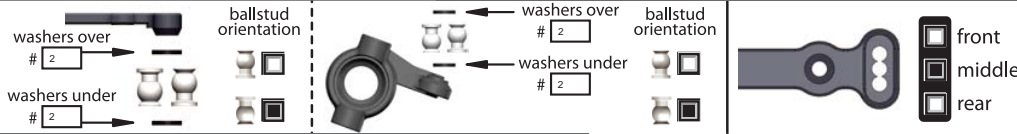
Event: Nova Chalng. Barnstormers

Track: Indoor Outdoor **Size:** Small Medium Large **Traction:** Low Med High

Surface: Smooth Bumpy Rutted **Type:** Loose/Loamy Hard Pack Blue Groove Clay

Bumpsteer/Ackerman/Servo Saver/Steering Stop:

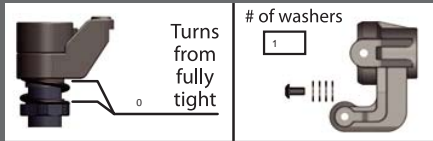
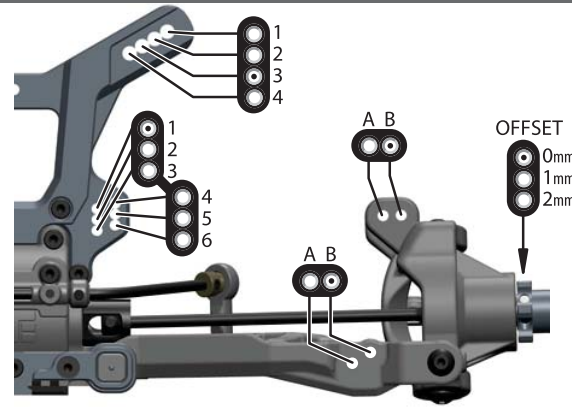
Condition: Dusty Dry Wet Muddy



Shocks:

	FRONT	REAR
OIL	450	475
BRAND	PTRC	PTRC
PISTON	4x1.8	4x1.8
SPRING	Pink	Yellow
REBOUND	10 %	10 %
STD/EMUL/VENT	Vent	Vent

Front End:



Suspension:

	FRONT	REAR
RIDE HEIGHT	28	27
CAMBER	-3	-4
CASTER	15* (v2)	
SWEEP	0	
KICK UP	10*	
ANTI-SQUAT		1.5*
TOE (in/out)	0	2.5*
SWAY BAR	2.5	2.5
SHOCK LENGTH (DROOP)	119	135

NOTES: 85* temps out.

Tires/Wheels:

	FRONT	REAR
BRAND/TREAD	Impact	Impact
COMPOUND	Soft	Soft
INSERT	AKA Red	AKA Red
WHEEL	AKA Evo	AKA Evo

NOTES: AKA tires

Differential Oil:

	FRONT	CENTER	REAR
	9k	7k	7k

Equipment:

ENGINE/PIPE:	Alpha* / 2090
PLUG:	LutzRC L4
FUEL:	Byrons Worlds 30/8
RX BATT:	ProTek 2600
SERVOS:	(steering) Futaba / (throttle/brake) Futaba

Drivetrain:

CLUTCH/SPUR:	15 / 46 (teeth)
CLUTCH SHOES:	LutzRC 3 x Alum
CLUTCH SPRINGS:	LutzRC 3 x Hard
BRAKE BIAS:	(front) 55 % / (rear) 45 %

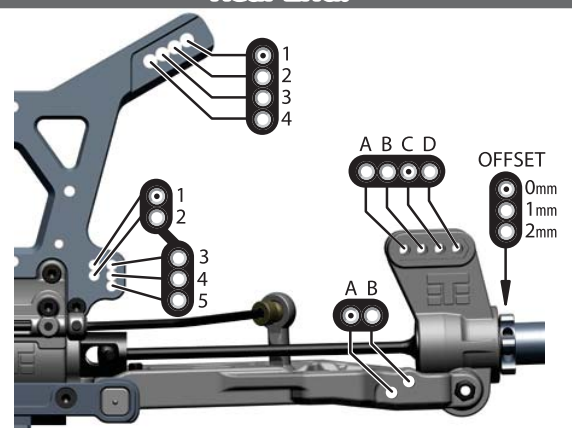
Chassis Braces:

Center Left Rear Right Rear
(front brace is always recommended)

Notes:

*Ryan Lutz Worlds Edition

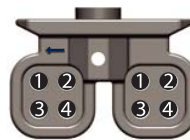
Rear End:



Body/Wing:

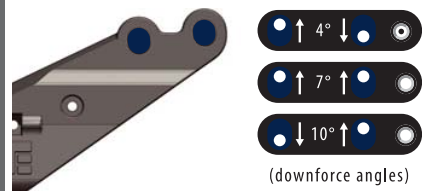
BODY MAKE	LFR Assassin
WING MAKE	Stock Tekno trimmed

POSITION SETTINGS



- 1 - REARWARD LOW
- 2 - FORWARD LOW
- 3 - REARWARD HIGH
- 4 - FORWARD HIGH

DOWNFORCE SETTINGS



Wheelbase:

