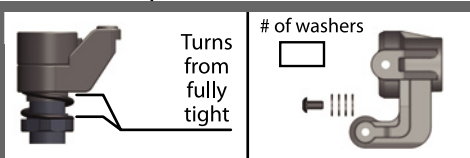
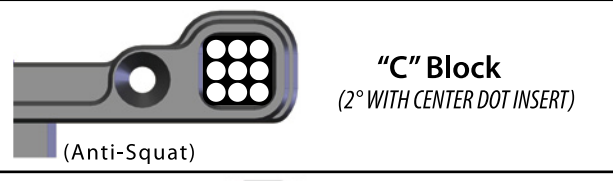
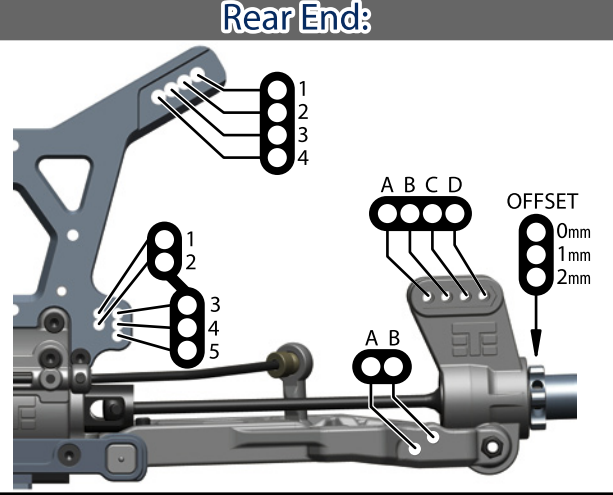
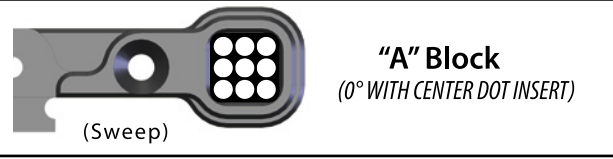
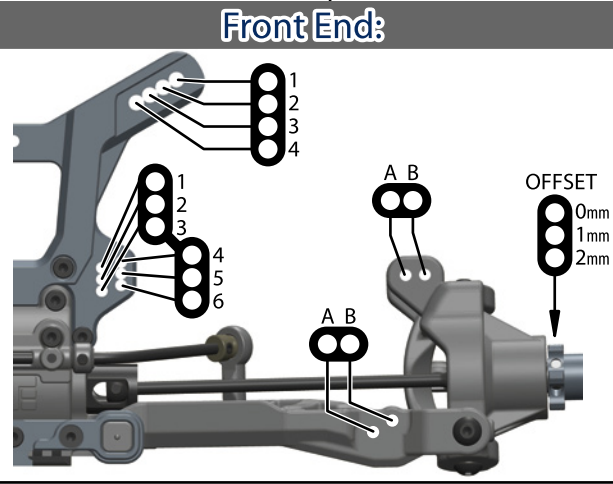


Name: _____ **Date:** _____ **Event:** _____

Track: Indoor Outdoor **Size:** Small Medium Large **Traction:** Low Med High

Surface: Smooth Bumpy Rutted **Type:** Loose/Loamy Hard Pack Blue Groove Clay

Bumpsteer/Ackerman/Servo Saver/Steering Stop: _____ **Condition:** Dusty Dry Wet Muddy

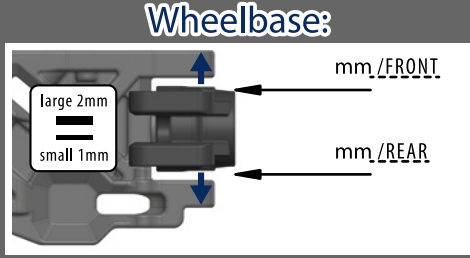
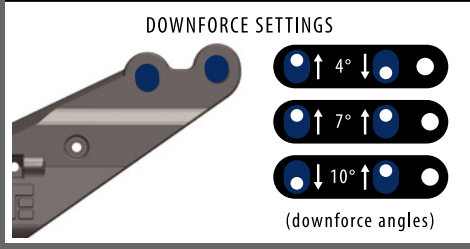
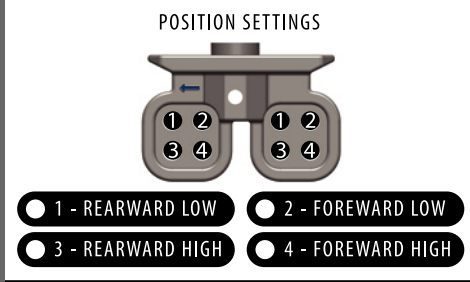


Suspension:

	FRONT	REAR
RIDE HEIGHT		
CAMBER		
CASTER		
SWEEP		
KICK UP		
ANTI-SQUAT		
TOE (in/out)		
SWAY BAR		
SHOCK LENGTH (DROOP)		

Body/Wing:

BODY MAKE	
WING MAKE	



Shocks:

	FRONT	REAR
OIL		
BRAND		
PISTON		
SPRING		
REBOUND	%	%
STD/EMUL/VENT		
NOTES:		

Tires/Wheels:

	FRONT	REAR
BRAND/TREAD		
COMPOUND		
INSERT		
WHEEL		
NOTES:		

Differential Oil:

	FRONT	CENTER	REAR

Equipment:

ENGINE/PIPE:	/	
PLUG:		
FUEL:		
RX BATT:		
SERVOS:	(steering) / (throttle/brake)	

Drivetrain:

CLUTCH/SPUR:	/ (teeth)	
CLUTCH SHOES:		
CLUTCH SPRINGS:		
BRAKE BIAS:	(front) % / (rear) %	

Chassis Braces:

Center Left Rear Right Rear

(front brace is always recommended)

Notes: