



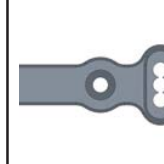
Name: Ian Cameron

Date: 03-14-2015

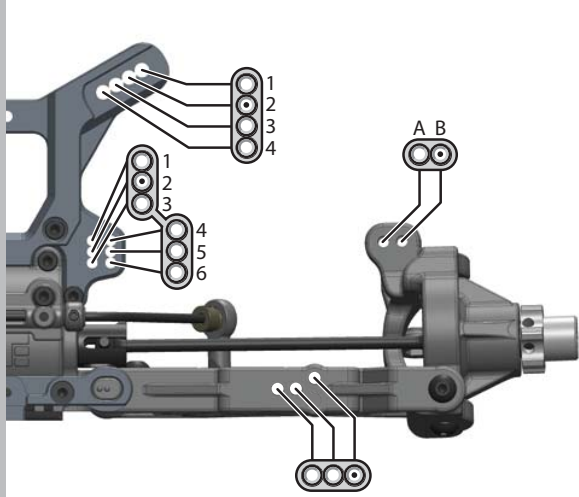
Event/Track: Sparks Park St Patty day race

Track Conditions: Outdoor Indoor Wet Dry High Bite Low Bite Rough
 Smooth Hard Packed Loose/Loamy Blue Groove

Bumpsteer/Ackerman/Servo Saver/Steering Stop:

 <p># washers <input type="checkbox"/> 4 over <input type="checkbox"/> 0 under ballstud <input type="checkbox"/> <input checked="" type="checkbox"/></p>	 <p># washers <input type="checkbox"/> 4 over <input type="checkbox"/> 0 under ballstud <input type="checkbox"/> <input checked="" type="checkbox"/></p>	 <p><input type="checkbox"/> front <input checked="" type="checkbox"/> middle <input type="checkbox"/> rear</p>
--	---	--

Front End:



of turns from fully tightened tight 3

washers 3

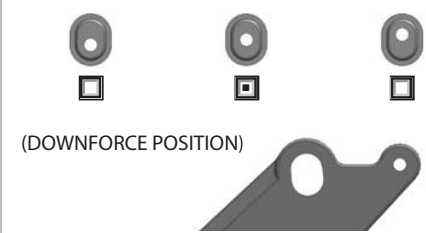
Suspension:

	FRONT	REAR
RIDE HEIGHT:	37	37
TOE (in/out):	1 out	
CAMBER:	-2	-2
CASTER:	10 Deg°	
SHOCK LENGTH (DROOP):	122	136
SWAY BAR:	0.0	2.6

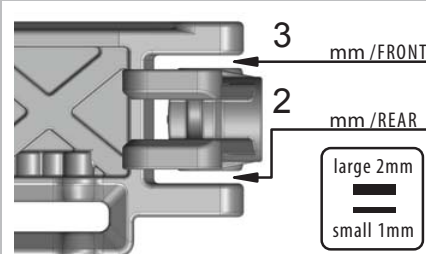
NOTES: no front swaybar

Body/Wing:

BODY:	stock
WING:	stock



Wheelbase:



Notes:

+1.5 rear hanger

Shocks:

	FRONT	REAR
STD/EMUL/VENT:	vent	vent
PISTON:	8x1.3	8x1.3
OIL:	42.5 ae	35 ae
BLADDER:	stock	stock
REBOUND:	0 %	0 %
SPRING:	green	Orange

NOTES: Tekno pistons and springs.

Tires / Wheels:

	FRONT	REAR
BRAND:	HB	HB
TREAD:	Megabyte	Megabyte
COMPOUND:	pink	pink
INSERT:	AKA Red	AKA Red
WHEEL:	Proline	Proline

NOTES:

Differential Oil:

FRONT	CENTER	REAR
10	20	5

NOTES:

Equipment:

BATTERY:	Trakpower 6700 90c
ESC:	Tekin RX8 Gen 2
MOTOR:	Tekin Gen2 T8 170
RADIO:	M12
SERVO(s):	Savox sb2271

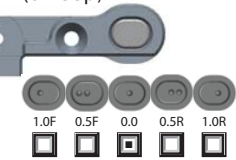
NOTES:

Drivetrain:

PINION/BELL:	21 (teeth)
SPUR GEAR:	Metal <input type="checkbox"/> Plastic <input checked="" type="checkbox"/>
BRAKES:	Mech <input type="checkbox"/> Motor <input checked="" type="checkbox"/>
TRAKTION DRIVE:	Y/N / Springs

NOTES:

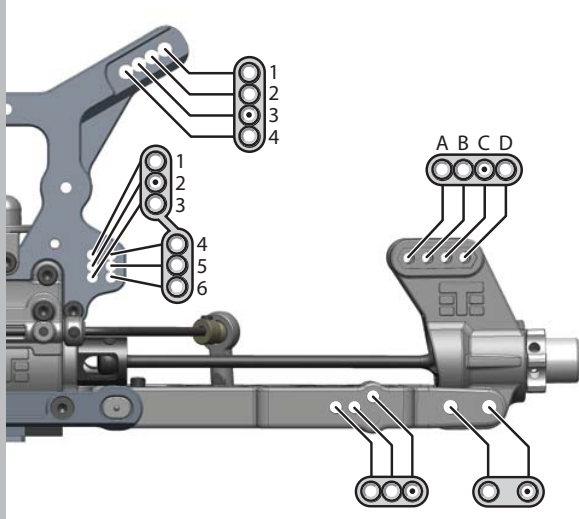
Front Outer (Sweep)



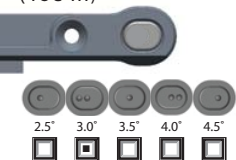
Front Inner (Kick Up)



Rear End:



Rear Outer (Toe In)



Rear Inner (Anti-Squat)

