




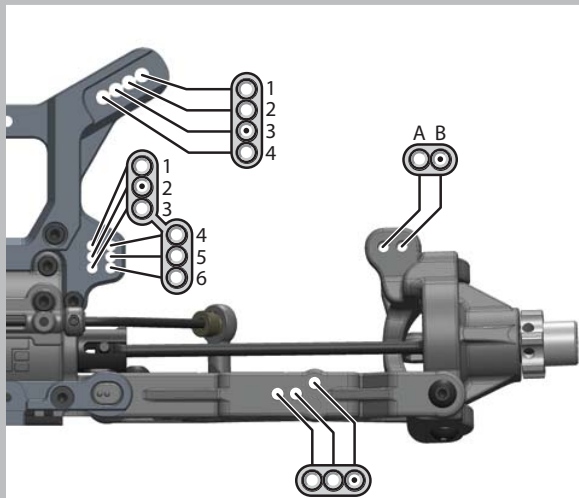
Name: Joe Bornhorst Date: 9-14-2014 Event/Track: Race Against Cancer/McCulloughs


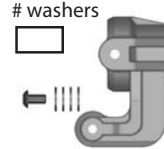
Track Conditions: Outdoor  Indoor  Wet  Dry  High Bite  Low Bite  Rough   
 Smooth  Hard Packed  Loose/Loamy  Blue Groove

### Bumpsteer/Ackerman/Servo Saver/Steering Stop:

 <p># washers  <input type="checkbox"/> over  <input type="checkbox"/> under          ballstud  <input type="checkbox"/> <input checked="" type="checkbox"/></p>	 <p># washers  <input type="checkbox"/> over  <input type="checkbox"/> under          ballstud  <input type="checkbox"/> <input checked="" type="checkbox"/></p>	 <p><input type="checkbox"/> front  <input type="checkbox"/> middle  <input checked="" type="checkbox"/> rear</p>
--	---	--

### Front End:



 <p># of turns from fully tightened</p>	 <p># washers  <input type="checkbox"/> <input type="checkbox"/> <input type="checkbox"/></p>
--	---

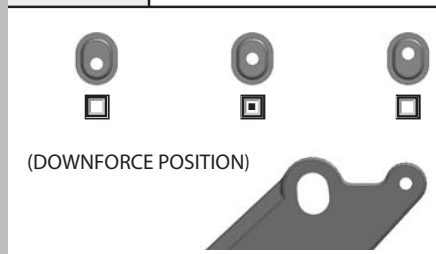
### Suspension:

	FRONT	REAR
RIDE HEIGHT:	37	37
TOE (in/out):	1	3
CAMBER:	-2	-2
CASTER:	10 Deg°	
SHOCK LENGTH (DROOP):	122	136
SWAY BAR:	2.4	2.6

NOTES:

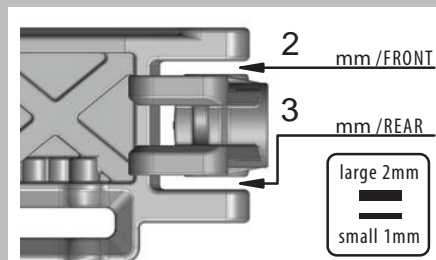
### Body/Wing:

BODY:	Tekno
WING:	Tekno



(DOWNFORCE POSITION)

### Wheelbase:



### Notes:

Delrin shock internals/TiNi shock shafts.  
 Worked in all conditions- Wet or dry.  
 This setup has a lot of steering.

### Shocks:

	FRONT	REAR
STD/EMUL/VENT:	vent	vent
PISTON:	8x1.3	8x1.3
OIL:	650	550
BLADDER:	std	std
REBOUND:	0 %	0 %
SPRING:	yellow	orange

NOTES:

### Tires / Wheels:

	FRONT	REAR
BRAND:	AKA	AKA
TREAD:	EVO Gridiron	EVO Gridiron
COMPOUND:	SS	SS
INSERT:	Red	Red
WHEEL:	AKA Evo	AKA Evo

NOTES:

### Differential Oil:

	FRONT	CENTER	REAR
	12k	15k	7k

NOTES:

### Equipment:

BATTERY:	SMC 6500
ESC:	Tekin RX8 Gen2
MOTOR:	Tekin Gen2 T8 2000kv
RADIO:	Airtronics
SERVO(s):	Savox 1270

NOTES:

### Drivetrain:

PINION/BELL:	19	(teeth)
SPUR GEAR:	Metal <input type="checkbox"/>	Plastic <input type="checkbox"/>
BRAKES:	Mech <input type="checkbox"/>	Motor <input type="checkbox"/>
TRAKTION DRIVE:	Y/N	/ Springs

NOTES:

### Front Outer (Sweep)



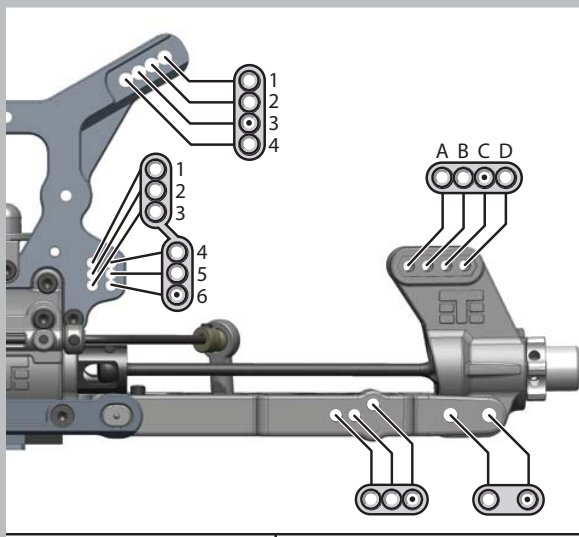
1.0F  0.5F  0.0  0.5R  1.0R

### Front Inner (Kick Up)

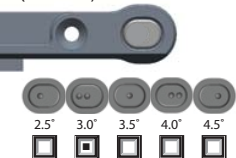


10.0°  10.5°  11.0°  11.5°  12.0°

### Rear End:



### Rear Outer (Toe In)



2.5°  3.0°  3.5°  4.0°  4.5°

### Rear Inner (Anti-Squat)



3.0°  2.5°  2.0°  1.5°  1.0°