



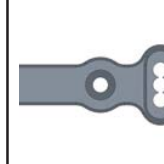
Name: Jeff Beck

Date: 08-29-2014

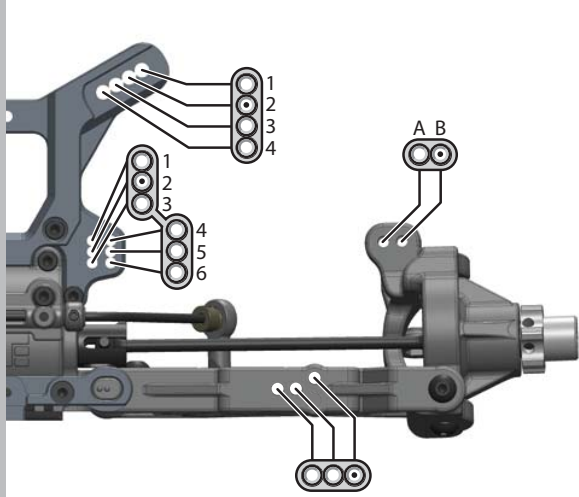
Event/Track: Medina RC Raceway - Club

Track Conditions: Outdoor  Indoor  Wet  Dry  High Bite  Low Bite  Rough   
 Smooth  Hard Packed  Loose/Loamy  Blue Groove

### Bumpsteer/Ackerman/Servo Saver/Steering Stop:

 <p># washers  <input type="checkbox"/> 4 over  <input type="checkbox"/> 0 under                  ballstud  <input type="checkbox"/> <input checked="" type="checkbox"/></p>	 <p># washers  <input type="checkbox"/> 4 over  <input type="checkbox"/> 0 under                  ballstud  <input type="checkbox"/> <input checked="" type="checkbox"/></p>	 <p><input type="checkbox"/> front  <input checked="" type="checkbox"/> middle  <input type="checkbox"/> rear</p>
--	---	---

### Front End:



# of turns from fully tightened tight  3

# washers  3

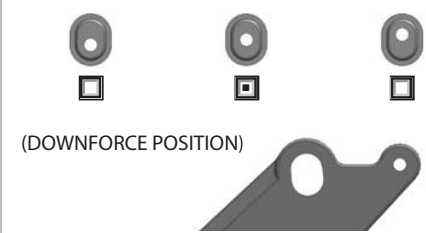
### Suspension:

	FRONT	REAR
RIDE HEIGHT:	37	37
TOE (in/out):	1 out	
CAMBER:	-2	-2
CASTER:	10 Deg°	
SHOCK LENGTH (DROOP):	122	136
SWAY BAR:	2.3	2.8

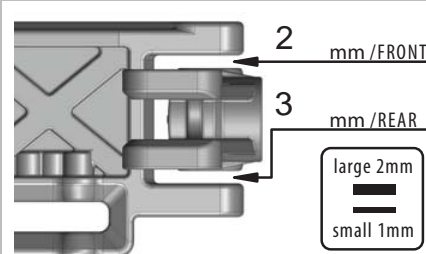
NOTES:

### Body/Wing:

BODY:	stock
WING:	stock



### Wheelbase:



### Notes:

Delrin cartridge set  
 TiNi shock shafts  
 +1.5 rear hanger

### Shocks:

	FRONT	REAR
STD/EMUL/VENT:	vent	vent
PISTON:	8x1.3	8x1.3
OIL:	725cst	625cst
BLADDER:	stock	stock
REBOUND:	0 %	0 %
SPRING:	Yellow	Orange

NOTES: Tekno pistons and springs.

### Tires / Wheels:

	FRONT	REAR
BRAND:		
TREAD:		
COMPOUND:		
INSERT:		
WHEEL:		

NOTES:

### Differential Oil:

FRONT	CENTER	REAR
10	15	5

NOTES:

### Equipment:

BATTERY:	Trakpower 6700 90c
ESC:	Tekin RX8 Gen 2
MOTOR:	Tekin Gen2 T8 1900kv
RADIO:	M12
SERVO(s):	Savox sb2271

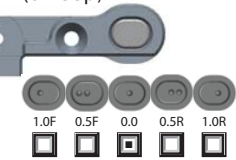
NOTES:

### Drivetrain:

PINION/BELL:	18 (teeth)
SPUR GEAR:	Metal <input checked="" type="checkbox"/> Plastic <input type="checkbox"/>
BRAKES:	Mech <input type="checkbox"/> Motor <input type="checkbox"/>
TRAKTION DRIVE:	Y/N / Springs

NOTES:

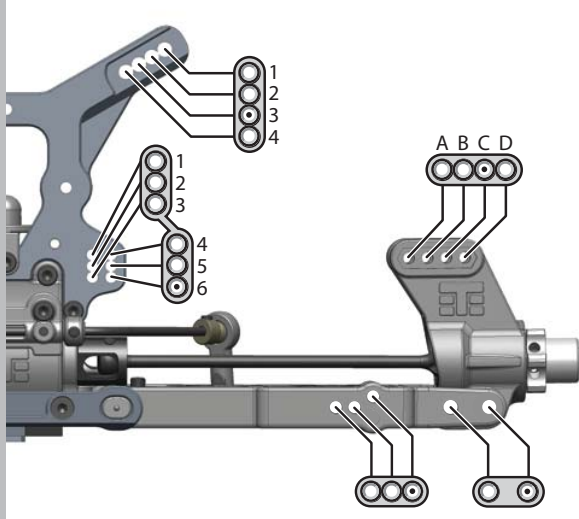
### Front Outer (Sweep)



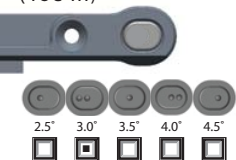
### Front Inner (Kick Up)



### Rear End:



### Rear Outer (Toe In)



### Rear Inner (Anti-Squat)

