

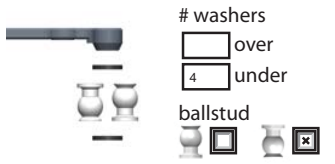
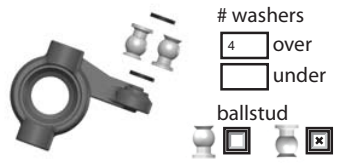
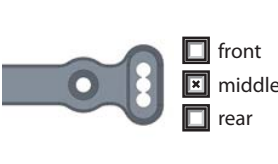
Name: Mark Unrath

Date:

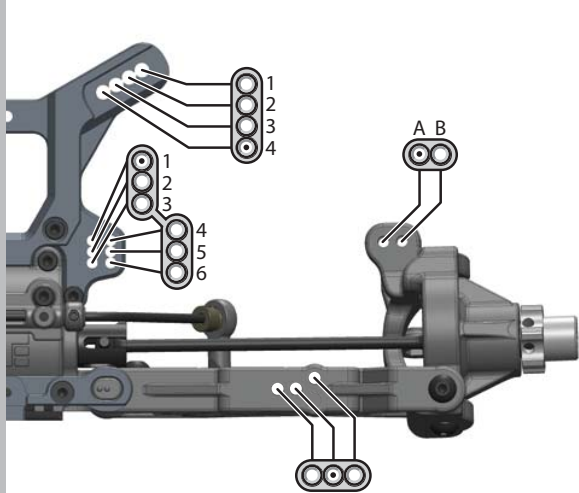
Event/Track: AMS5.0

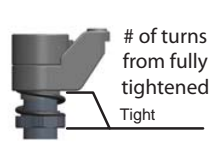
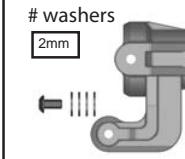
Track Conditions: Outdoor  Indoor  Wet  Dry  High Bite  Low Bite  Rough   
 Smooth  Hard Packed  Loose/Loamy  Blue Groove

### Bumpsteer/Ackerman/Servo Saver/Steering Stop:

 <p># washers  <input type="checkbox"/> over  <input checked="" type="checkbox"/> 4 under                  ballstud  <input type="checkbox"/> <input checked="" type="checkbox"/></p>	 <p># washers  <input type="checkbox"/> over  <input checked="" type="checkbox"/> 4 under                  ballstud  <input type="checkbox"/> <input checked="" type="checkbox"/></p>	 <p><input type="checkbox"/> front  <input checked="" type="checkbox"/> middle  <input type="checkbox"/> rear</p>
---	--	---

### Front End:



 <p># of turns from fully tightened Tight</p>	 <p># washers  <input checked="" type="checkbox"/> 2mm</p>
--	--

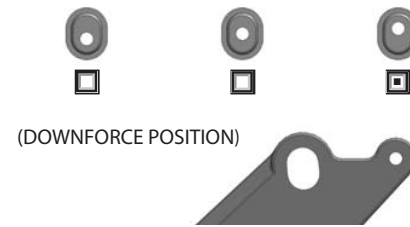
### Suspension:

	FRONT	REAR
RISE HEIGHT:	36	37
TOE (in/out):	1 out	3
CAMBER:	1.5	1.5
CASTER:	10 Deg°	
SHOCK LENGTH (DROOP):	118	132
SWAY BAR:	2.6	2.6

NOTES:

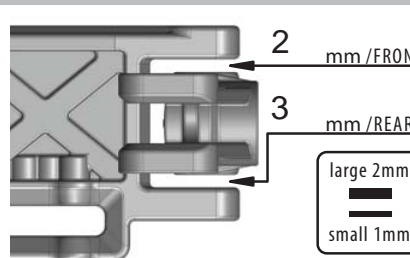
### Body/Wing:

BODY:	STK
WING:	JC Finisher



(DOWNFORCE POSITION)

### Wheelbase:



2 mm / FRONT  
 3 mm / REAR  
 large 2mm  
 small 1mm

### Notes:

Lightweight wheel hex F/R  
 +1 Rear hub

### Shocks:

	FRONT	REAR
STD/EMUL/VENT:	STD	STD
PISTON:	STK	STK
OIL:	Losi 40	Losi 35
BLADDER:	STK	STK
REBOUND:	0 %	0 %
SPRING:	Yellow	Yellow

NOTES:

### Tires / Wheels:

	FRONT	REAR
BRAND:	AKA	AKA
TREAD:	Grid Iron	Grid Iron
COMPOUND:	SS	SS
INSERT:	Red	Red
WHEEL:	AKA	AKA

NOTES:

### Differential Oil:

	FRONT	CENTER	REAR
	10	7	5

NOTES:

### Equipment:

BATTERY:	Pro-Match
ESC:	Tekin Gen 2 RX8
MOTOR:	Tekin Gen 2 T8 2000
RADIO:	Radiopost TS401
SERVO(s):	Radiopost Red

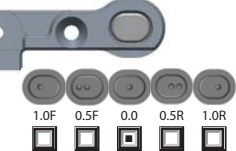
NOTES:

### Drivetrain:

PINION/BELL:	16/44	(teeth)
SPUR GEAR:	Metal <input type="checkbox"/>	Plastic <input type="checkbox"/>
BRAKES:	Mech <input type="checkbox"/>	Motor <input type="checkbox"/>
TRAKTION DRIVE:	Y/N	/ Springs

NOTES:

### Front Outer (Sweep)



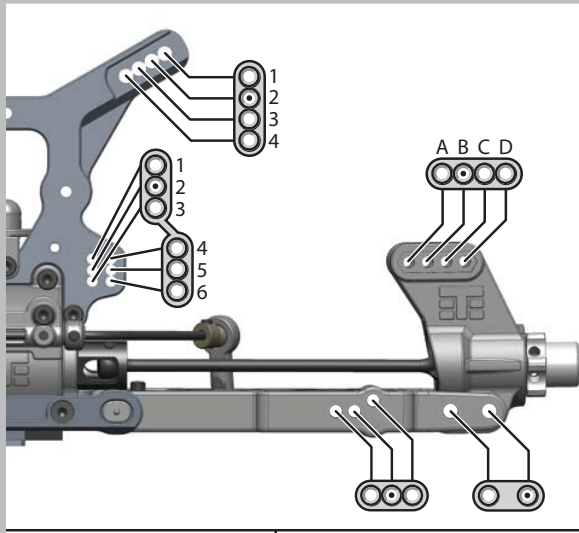
1.0F 0.5F 0.0 0.5R 1.0R

### Front Inner (Kick Up)

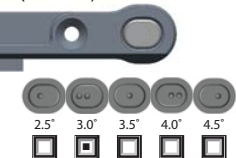


10.0° 10.5° 11.0° 11.5° 12.0°

### Rear End:



### Rear Outer (Toe In)



2.5° 3.0° 3.5° 4.0° 4.5°

### Rear Inner (Anti-Squat)



3.0° 2.5° 2.0° 1.5° 1.0°