

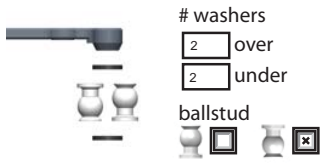
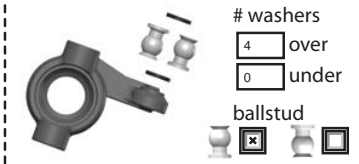

Name: Tyler Herwig

Date:

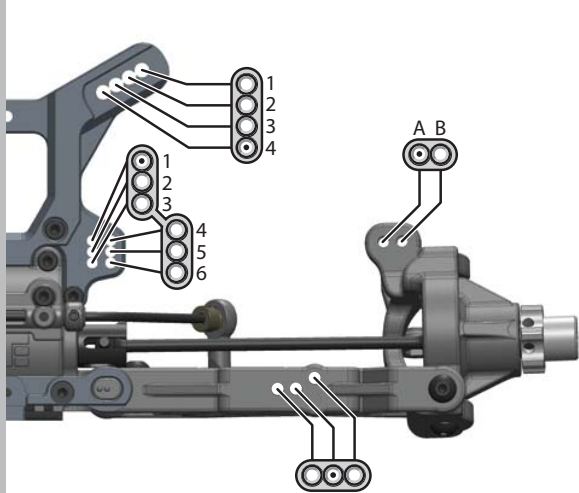
Event/Track: AMS 5.0

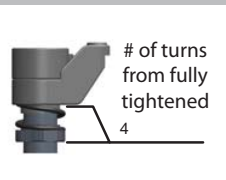
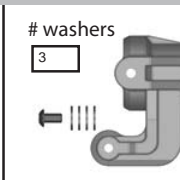
Track Conditions: Outdoor Indoor Wet Dry High Bite Low Bite Rough
 Smooth Hard Packed Loose/Loamy Blue Groove

Bumpsteer/Ackerman/Servo Saver/Steering Stop:

 <p># washers 2 over 2 under ballstud <input type="checkbox"/></p>	 <p># washers 4 over 0 under ballstud <input checked="" type="checkbox"/></p>	 <p><input type="checkbox"/> front <input checked="" type="checkbox"/> middle <input type="checkbox"/> rear</p>
---	---	---

Front End:



 <p># of turns from fully tightened 4</p>	 <p># washers 3</p>
--	---

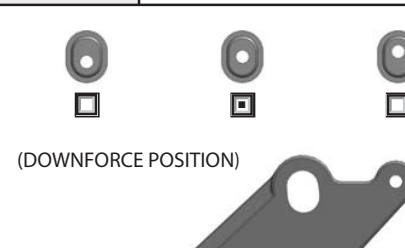
Suspension:

	FRONT	REAR
RIDE HEIGHT:	36mm	36mm
TOE (in/out):	1 deg out	4 deg in
CAMBER:	-2	-2
CASTER:	15 Deg°	
SHOCK LENGTH (DROOP):	118	132
SWAY BAR:	2.6mm	2.6mm

NOTES:

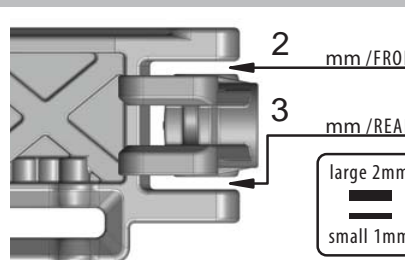
Body/Wing:

BODY:	Tekno
WING:	Upgrade Vortex



(DOWNFORCE POSITION)

Wheelbase:



Notes:

Shocks:

	FRONT	REAR
STD/EMUL/VENT:	Std	Std
PISTON:	8x1.3	8x1.3
OIL:	45wt	35wt
BLADDER:	Stock	Stock
REBOUND:	0 %	0 %
SPRING:	Yellow	Yellow

NOTES:

Tires / Wheels:

	FRONT	REAR
BRAND:	JConcepts	JConcepts
TREAD:	Hybrids	Hybrids
COMPOUND:	Green (SS)	Green (SS)
INSERT:	JConcepts	JConcepts
WHEEL:	Elevated JC	Elevated JC

NOTES:

Differential Oil:

	FRONT	CENTER	REAR
	10k	7k	5k

NOTES:

Equipment:

BATTERY:	SMC 70C 6500mah
ESC:	Tekin RX8 Gen 2
MOTOR:	Tekin T8 2000kv Gen 2
RADIO:	Futaba 4PKS-R
SERVO(s):	Protek 130T

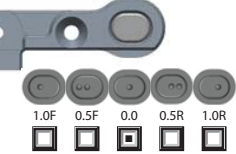
NOTES:

Drivetrain:

PINION/BELL:	16 (teeth)
SPUR GEAR:	Metal <input type="checkbox"/> Plastic <input type="checkbox"/>
BRAKES:	Mech <input type="checkbox"/> Motor <input type="checkbox"/>
TRAKTION DRIVE:	Y/N / Springs

NOTES:

Front Outer (Sweep)



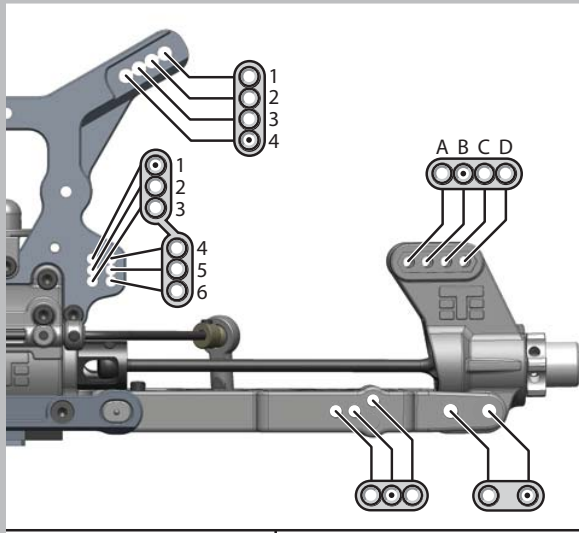
1.0F 0.5F 0.0 0.5R 1.0R

Front Inner (Kick Up)

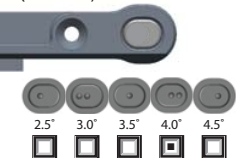


10.0° 10.5° 11.0° 11.5° 12.0°

Rear End:

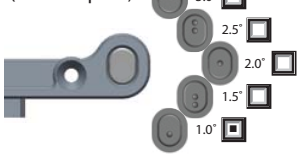


Rear Outer (Toe In)



2.5° 3.0° 3.5° 4.0° 4.5°

Rear Inner (Anti-Squat)



3.0° 2.5° 2.0° 1.5° 1.0°