

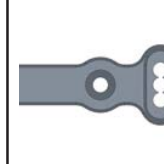


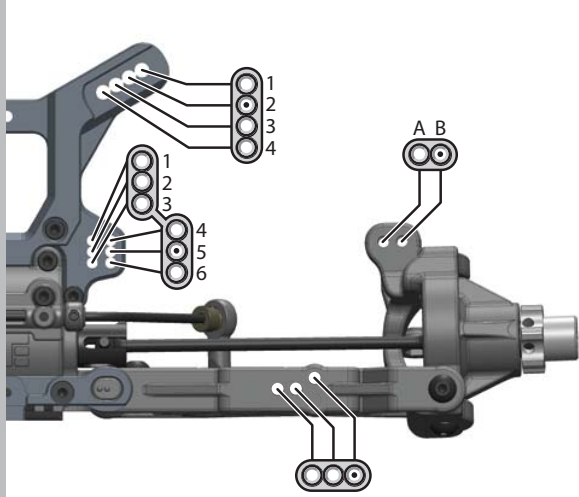
Name: Randy C Date: 1-11-15 Event/Track: CRCRC Midwest Champs

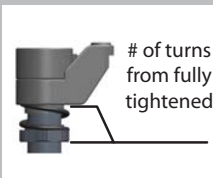
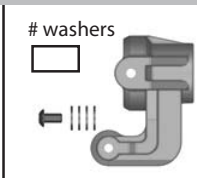
Track Conditions: Outdoor Indoor Wet Dry High Bite Low Bite Rough
 Smooth Hard Packed Loose/Loamy Blue Groove

Bumpsteer/Ackerman/Servo Saver/Steering Stop:

 <p># washers <input type="checkbox"/> over <input type="checkbox"/> under ballstud <input type="checkbox"/> <input checked="" type="checkbox"/></p>	 <p># washers <input type="checkbox"/> over <input type="checkbox"/> under ballstud <input checked="" type="checkbox"/> <input type="checkbox"/></p>	 <p><input type="checkbox"/> front <input checked="" type="checkbox"/> middle <input type="checkbox"/> rear</p>
--	---	--

Front End:



 <p># of turns from fully tightened <input type="checkbox"/></p>	 <p># washers <input type="checkbox"/></p>
--	---

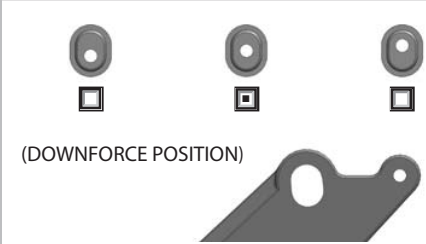
Suspension:

	FRONT	REAR
RIDE HEIGHT:	25	24.5
TOE (in/out):	2	4
CAMBER:	1.2	2.5
CASTER:	10 Deg°	
SHOCK LENGTH (DROOP):	104	123
SWAY BAR:	2.4	2.5

NOTES:

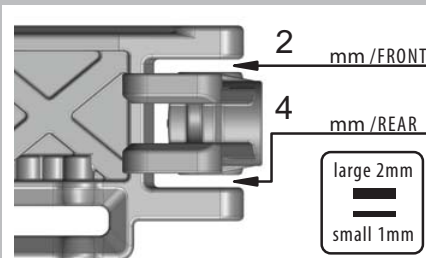
Body/Wing:

BODY:	JC Finisher
WING:	JC Finisher



(DOWNFORCE POSITION)

Wheelbase:



Notes:

Track was technical but fast, had fast off power sweeper with wooden wall 90°+180 dirt was grippy / bumpy
 Weather was 50-60° avg inside and -1 outside

Shocks:

	FRONT	REAR
STD/EMUL/VENT:	Vent	
PISTON:	6x1.5	6x1.5
OIL:	AE 35	AE27.5
BLADDER:	Yes	
REBOUND:	20 %	20 %
SPRING:	Pink	Red

NOTES: When moist use Green/Blue springs

Tires / Wheels:

	FRONT	REAR
BRAND:	AKA	
TREAD:	typo	
COMPOUND:	Clay	
INSERT:	Red	
WHEEL:	Aka	

NOTES: Liquid Wrench prep

Differential Oil:

	FRONT	CENTER	REAR
	15k	15k	10k

NOTES: Mugen oil

Equipment:

BATTERY:	450 gram Trakpower
ESC:	Gen2
MOTOR:	1900kv
RADIO:	MT-4s
SERVO(s):	JR 8717HVS

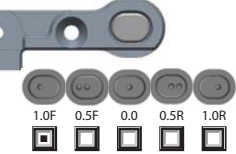
NOTES:

Drivetrain:

PINION/BELL:	19 (teeth)
SPUR GEAR:	Metal <input type="checkbox"/> Plastic <input type="checkbox"/>
BRAKES:	Mech <input type="checkbox"/> Motor <input type="checkbox"/>
TRAKTION DRIVE:	Y/N / Springs

NOTES: All chassis braces used
 Delrin shock parts/ single seal

Front Outer (Sweep)



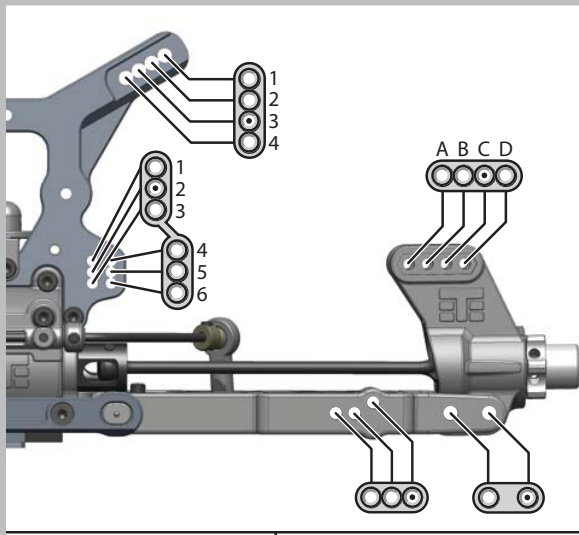
1.0F 0.5F 0.0 0.5R 1.0R

Front Inner (Kick Up)

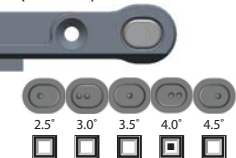


10.0° 10.5° 11.0° 11.5° 12.0°

Rear End:

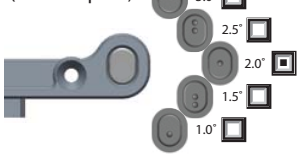


Rear Outer (Toe In)



2.5° 3.0° 3.5° 4.0° 4.5°

Rear Inner (Anti-Squat)



3.0° 2.5° 2.0° 1.5° 1.0°