



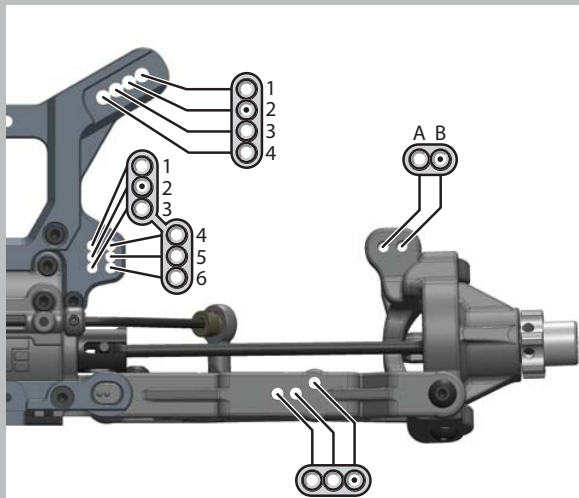
Name: Dawson Podany Date: 11/29/14 Event/Track: Temple RC Speedway

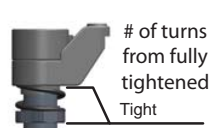
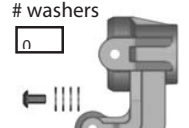
Track Conditions: Outdoor Indoor Wet Dry High Bite Low Bite Rough
 Smooth Hard Packed Loose/Loamy Blue Groove

Bumpsteer/Ackerman/Servo Saver/Steering Stop:

	# washers		# washers		<input type="checkbox"/> front
	0 over 4 under		4 over 0 under		<input type="checkbox"/> middle
ballstud	<input type="checkbox"/>	ballstud	<input checked="" type="checkbox"/>	<input checked="" type="checkbox"/> rear	

Front End:



	# of turns from fully tightened Tight		# washers
			n

Suspension:

	FRONT	REAR
RIDE HEIGHT:	23	24
TOE (in/out):		
CAMBER:	-2	-2.5
CASTER:	10 Deg°	
SHOCK LENGTH (DROOP):	Full	Full
SWAY BAR:	2.5	2.6

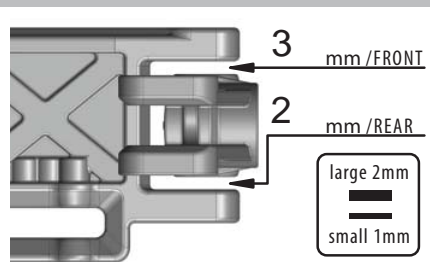
NOTES:

Body/Wing:

BODY:	Proline Phantom
WING:	Tekno

(DOWNFORCE POSITION)

Wheelbase:



Notes:

LRC, No droop screws
No fin on Phantom Body

Shocks:

	FRONT	REAR
STD/EMUL/VENT:	Std	Std
PISTON:	Kit	Kit
OIL:	400	300
BLADDER:	Std	Std
REBOUND:	0 %	0 %
SPRING:	Pink	Red

NOTES: Stock Pistons, Losi Fluids

Tires / Wheels:

	FRONT	REAR
BRAND:	Vp-Pro	Vp-Pro
TREAD:	Striker	Striker
COMPOUND:	Soft	Soft
INSERT:	Black	Black
WHEEL:	Avid	Avid

NOTES: Stiffer foam

Differential Oil:

	FRONT	CENTER	REAR
	7	7	2

NOTES: Associated fluids

Equipment:

BATTERY:	Venom 6300
ESC:	Tekin Rx8.2
MOTOR:	1900.2
RADIO:	KoPropo
SERVO(s):	Airtronics

NOTES: Running 7.4 BEC

Drivetrain:

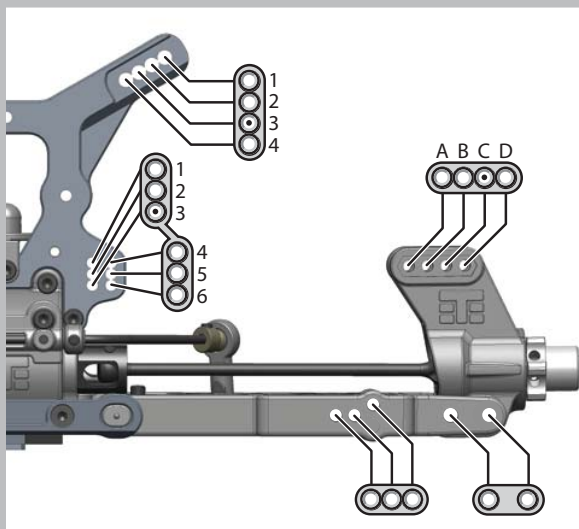
PINION/BELL:	18 (teeth)
SPUR GEAR:	Metal <input type="checkbox"/> Plastic <input checked="" type="checkbox"/>
BRAKES:	Mech <input type="checkbox"/> Motor <input checked="" type="checkbox"/>
TRAKTION DRIVE:	Y/N / Springs

NOTES: Very low amount of brakes

Front Outer (Sweep)

Front Inner (Kick Up)

Rear End:



Rear Outer (Toe In)

Rear Inner (Anti-Squat)