



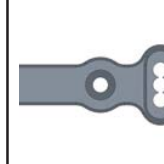
Name: Ryan S.

Date: 2014

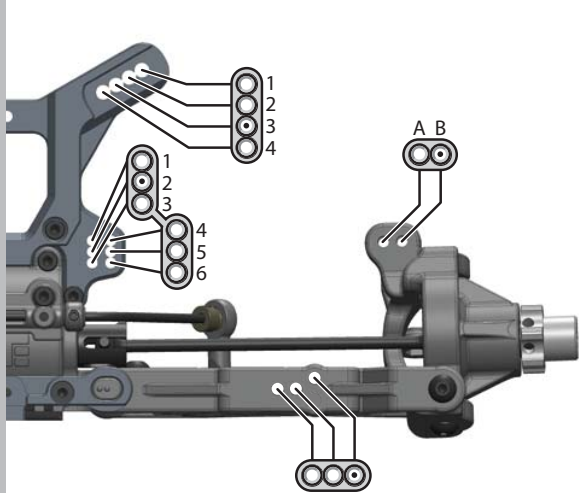
Event/Track: ROAR Region 2 Base Setup

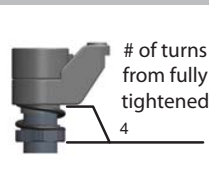
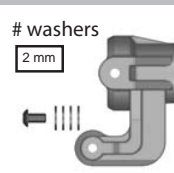
Track Conditions: Outdoor Indoor Wet Dry High Bite Low Bite Rough
 Smooth Hard Packed Loose/Loamy Blue Groove

Bumpsteer/Ackerman/Servo Saver/Steering Stop:

| | | |
|---|--|---|
|  <p># washers <input type="checkbox"/> over <input checked="" type="checkbox"/> under ballstud <input type="checkbox"/> <input checked="" type="checkbox"/></p> |  <p># washers <input type="checkbox"/> over <input checked="" type="checkbox"/> under ballstud <input type="checkbox"/> <input checked="" type="checkbox"/></p> |  <p><input type="checkbox"/> front <input checked="" type="checkbox"/> middle <input checked="" type="checkbox"/> rear</p> |
|---|--|---|

Front End:



| | |
|--|---|
|  <p># of turns from fully tightened 4</p> |  <p># washers 2mm</p> |
|--|---|

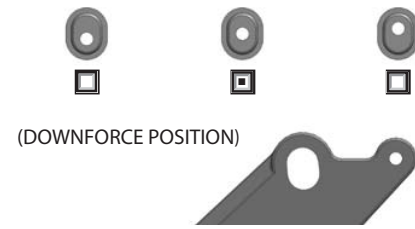
Suspension:

| | FRONT | REAR |
|-----------------------|---------|------|
| RIDE HEIGHT: | 27 | 28 |
| TOE (in/out): | 1.5 out | |
| CAMBER: | -2.0 | -2.5 |
| CASTER: | 10 Deg° | |
| SHOCK LENGTH (DROOP): | 105 | 121 |
| SWAY BAR: | 2.3 | 2.5 |

NOTES:

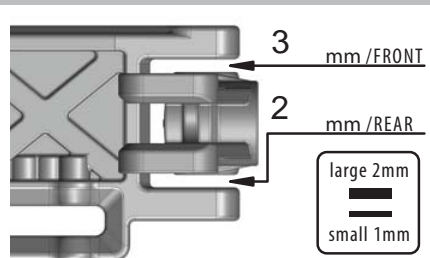
Body/Wing:

| | |
|-------|-------|
| BODY: | FTW |
| WING: | Tekno |



(DOWNFORCE POSITION)

Wheelbase:



3 mm / FRONT
 2 mm / REAR
 large 2mm
 small 1mm

Notes:

BMI LRC inserts F outer, Tekno LRC R brace
 Tekno front bumper mod chassis

Shocks:

| | FRONT | REAR |
|----------------|------------|------------|
| STD/EMUL/VENT: | Vent | Vent |
| PISTON: | 8x1.3 | 8x1.3 |
| OIL: | 550 | 450 |
| BLADDER: | Tekno | Tekno |
| REBOUND: | 0 % | 0 % |
| SPRING: | Orange (K) | Orange (K) |

NOTES: Delrin cartridge set, TiNi coated shafts

Tires / Wheels:

| | FRONT | REAR |
|-----------|-------|------|
| BRAND: | AKA | AKA |
| TREAD: | | |
| COMPOUND: | | |
| INSERT: | Red | Red |
| WHEEL: | AKA | AKA |

NOTES: +1/+2 F/R AL hexes

Differential Oil:

| | FRONT | CENTER | REAR |
|--|-------|--------|------|
| | 8 | 5 | 4 |

NOTES: Lightened diff cross pins

Equipment:

| | |
|-----------|-----------------|
| BATTERY: | Pro-Match 6500 |
| ESC: | Tekin RX8 Gen2 |
| MOTOR: | Tekin Gen2 1900 |
| RADIO: | Airtronics M12 |
| SERVO(s): | Radiopost Red |

NOTES:

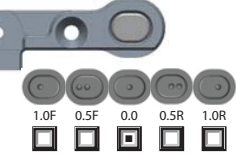
Drivetrain:

| | | |
|-----------------|--------------------------------|---|
| PINION/BELL: | 19 | (teeth) |
| SPUR GEAR: | Metal <input type="checkbox"/> | Plastic <input checked="" type="checkbox"/> |
| BRAKES: | Mech <input type="checkbox"/> | Motor <input checked="" type="checkbox"/> |
| TRAKTION DRIVE: | Y/N | / Springs |

NOTES: PTRC shock and differential oils

Overdrive (buggy F, truggy R gearing)

Front Outer (Sweep)



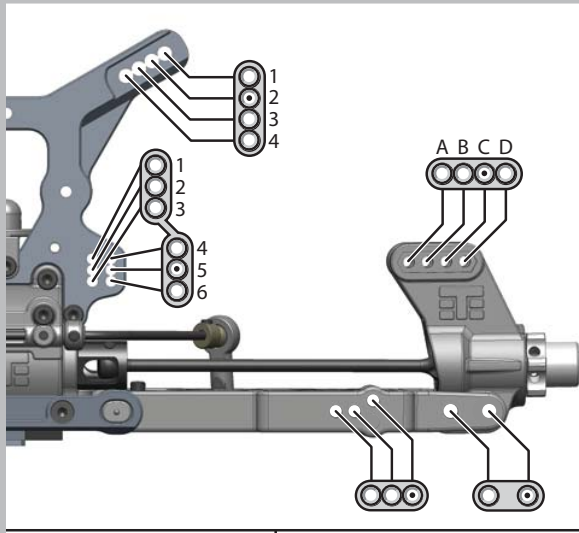
1.0F 0.5F 0.0 0.5R 1.0R

Front Inner (Kick Up)

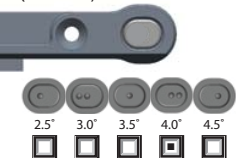


10.0° 10.5° 11.0° 11.5° 12.0°

Rear End:



Rear Outer (Toe In)



2.5° 3.0° 3.5° 4.0° 4.5°

Rear Inner (Anti-Squat)



3.0° 2.5° 2.0° 1.5° 1.0°