

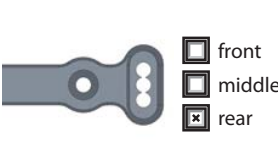


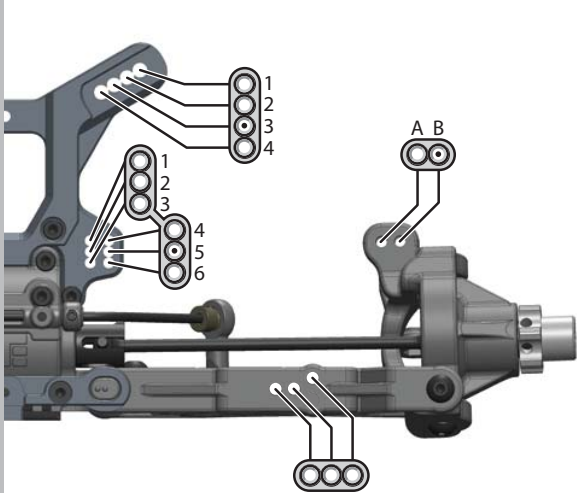
Name: Randy C Date: 6-09-14 Event/Track: king of Kings Stateline RC Fremont, IN

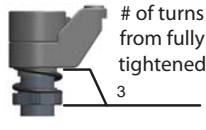
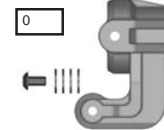
Track Conditions: Outdoor  Indoor  Wet  Dry  High Bite  Low Bite  Rough   
 Smooth  Hard Packed  Loose/Loamy  Blue Groove

### Bumpsteer/Ackerman/Servo Saver/Steering Stop:

 <p># washers  <input type="checkbox"/> 4 over  <input type="checkbox"/> under                  ballstud  <input type="checkbox"/> <input type="checkbox"/></p>	 <p># washers  <input type="checkbox"/> 0 over  <input type="checkbox"/> 0 under                  ballstud  <input type="checkbox"/> <input type="checkbox"/></p>	 <p><input type="checkbox"/> front  <input type="checkbox"/> middle  <input checked="" type="checkbox"/> rear</p>
---	--	---

### Front End:



 <p># of turns from fully tightened 3</p>	 <p># washers  <input type="checkbox"/> 0</p>
--	---

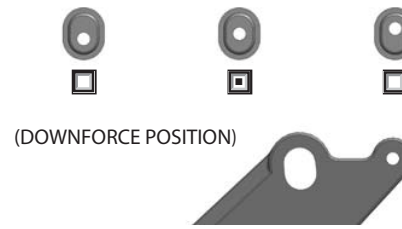
### Suspension:

	FRONT	REAR
RIDE HEIGHT:	28.5	28
TOE (in/out):	2 out	3.5 LRC
CAMBER:	1.2	2.5
CASTER:	10 Deg°	
SHOCK LENGTH (DROOP):	106.6mm	124.4mm
SWAY BAR:	2.2mm	2.5mm

NOTES: shock rod ends out 2 front 3 rear

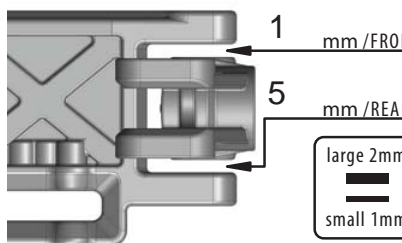
### Body/Wing:

BODY:	JC Finisher
WING:	JC Finisher



(DOWNFORCE POSITION)

### Wheelbase:



### Notes:

Track is clay/sand mix had 90/180\* turns 1 big jump an a rhythm section  
 square edge holes developed and some blue groove  
 battery forward

### Shocks:

	FRONT	REAR
STD/EMUL/VENT:	vent/bladder	vent/bladder
PISTON:	Fioroni	
OIL:	AE30	AE25
BLADDER:	gray	
REBOUND:	5 %	%
SPRING:	pink	blue

NOTES: lands awesome easy to drive in bumps

### Tires / Wheels:

	FRONT	REAR
BRAND:	Proline/AKA	
TREAD:	Recoils/ Impacts	
COMPOUND:	M3/ Super Soft	
INSERT:	stk	
WHEEL:	aka	

NOTES: Recoils faster in day impacts better at night

### Differential Oil:

	FRONT	CENTER	REAR
AE 5k	AE 5k	AE 5k	AE 3k

NOTES:

### Equipment:

BATTERY:	Trakpower 7200 90C
ESC:	Gen2
MOTOR:	T8 1900kv
RADIO:	MT4S
SERVO(s):	JR8717HVS

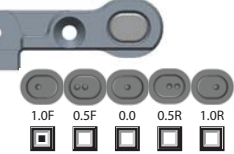
NOTES: EPA @125 from 140

### Drivetrain:

PINION/BELL:	19	(teeth)
SPUR GEAR:	Metal <input type="checkbox"/>	Plastic <input type="checkbox"/>
BRAKES:	Mech <input type="checkbox"/>	Motor <input type="checkbox"/>
TRAKTION DRIVE:	Y/N	/ Springs

NOTES:

### Front Outer (Sweep)



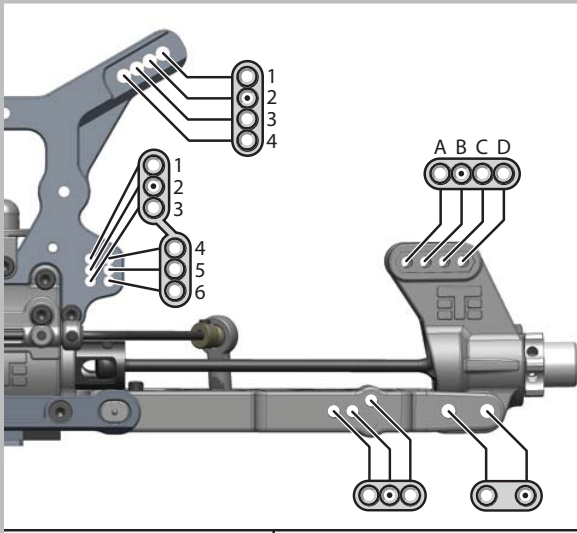
1.0F 0.5F 0.0 0.5R 1.0R

### Front Inner (Kick Up)

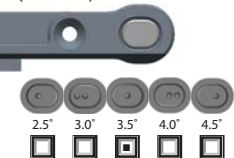


10.0° 10.5° 11.0° 11.5° 12.0°

### Rear End:



### Rear Outer (Toe In)



2.5° 3.0° 3.5° 4.0° 4.5°

### Rear Inner (Anti-Squat)



3.0° 2.5° 2.0° 1.5° 1.0°