




Name: Tyler Herwig

Date:

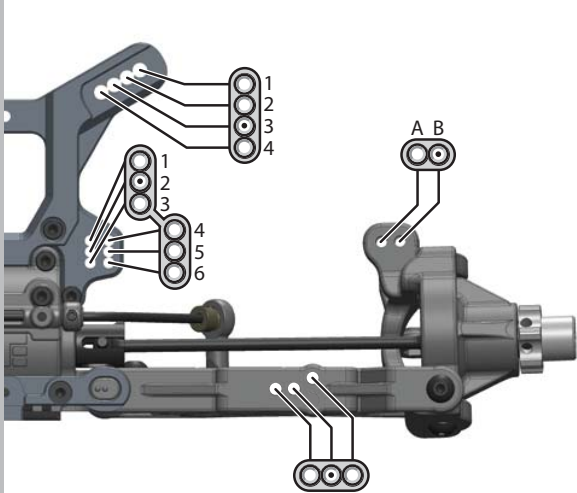
Event/Track: AMS 5.0

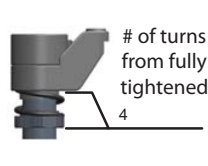
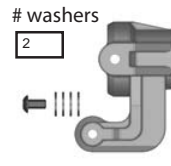
Track Conditions: Outdoor Indoor Wet Dry High Bite Low Bite Rough
 Smooth Hard Packed Loose/Loamy Blue Groove

Bumpsteer/Ackerman/Servo Saver/Steering Stop:

 <p># washers 2 over 2 under ballstud</p>	 <p># washers 4 over 0 under ballstud</p>	 <p><input type="checkbox"/> front <input checked="" type="checkbox"/> middle <input type="checkbox"/> rear</p>
--	---	--

Front End:



 <p># of turns from fully tightened 4</p>	 <p># washers 2</p>
--	---

Suspension:

	FRONT	REAR
RIDE HEIGHT:	28mm	28mm
TOE (in/out):	1 out	Center Dot +1.5
CAMBER:	-1	-1
CASTER:	15 Deg°	
SHOCK LENGTH (DROOP):	105mm	121mm
SWAY BAR:	Stock	Stock

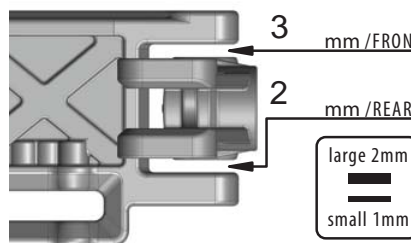
NOTES:

Body/Wing:

BODY:	JConcepts Finisher
WING:	Upgrade Vortex

(DOWNFORCE POSITION)

Wheelbase:



Notes:

Rear Brace Removed

Shocks:

	FRONT	REAR
STD/EMUL/VENT:	Std	Std
PISTON:	8x1.3	8x1.3
OIL:	40wt	35wt
BLADDER:	Stock	Stock
REBOUND:	0 %	0 %
SPRING:	Yellow	Yellow

NOTES:

Tires / Wheels:

	FRONT	REAR
BRAND:	JConcepts	JConcepts
TREAD:	Hybrids	Hybrids
COMPOUND:	Super Soft	Super Soft
INSERT:	JConcepts	JConcepts
WHEEL:	JConcepts	JConcepts

NOTES:

Differential Oil:

	FRONT	CENTER	REAR
	10	7	5

NOTES:

Equipment:

BATTERY:	SMC 6500mah
ESC:	Tekin RX8 Gen 2
MOTOR:	Tekin 1900kv
RADIO:	Futaba 4PKS-R
SERVO(s):	Protek 130SS

NOTES:

Drivetrain:

PINION/BELL:	17 (teeth)
SPUR GEAR:	Metal <input type="checkbox"/> Plastic <input type="checkbox"/>
BRAKES:	Mech <input type="checkbox"/> Motor <input type="checkbox"/>
TRAKTION DRIVE:	Y/N / Springs

NOTES:

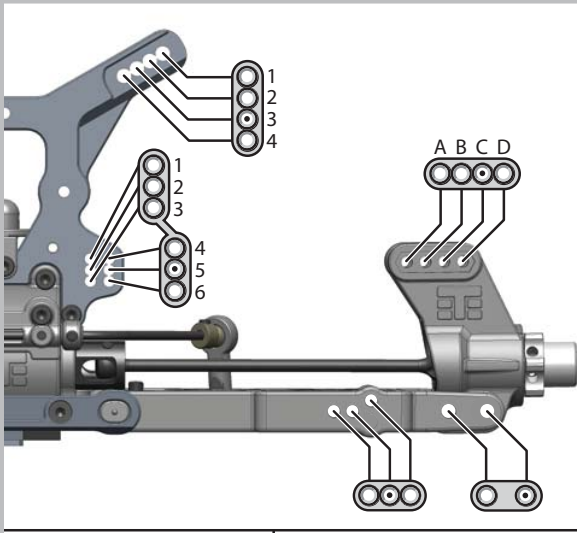
Front Outer (Sweep)

1.0F 0.5F 0.0 0.5R 1.0R

Front Inner (Kick Up)

10.0 10.5 11.0 11.5 12.0

Rear End:



Rear Outer (Toe In)

2.5 3.0 3.5 4.0 4.5

Rear Inner (Anti-Squat)

3.0 2.5 2.0 1.5 1.0