

SETUP SHEET

Name: Austin Blair Date: 2/28/13 Event: DNC

Track Conditions: Outdoor Open Loose/Loamy Dusty High Bite Low Bite Rough
 Indoor Tight Smooth Hard Packed Wet Dry Med Bite Blue Groove

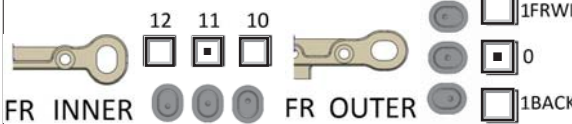
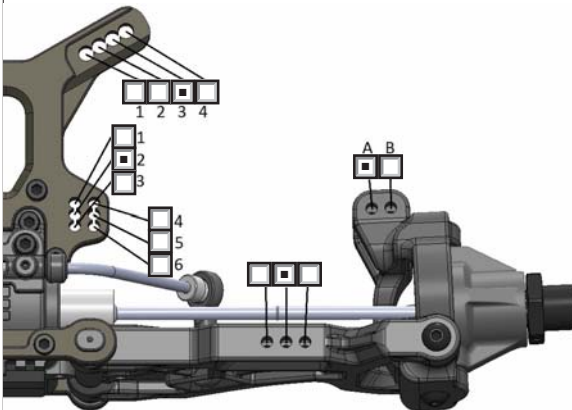
BUMPSTEER/ACKERMANN/SERVO SAVER



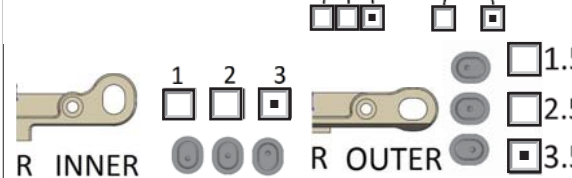
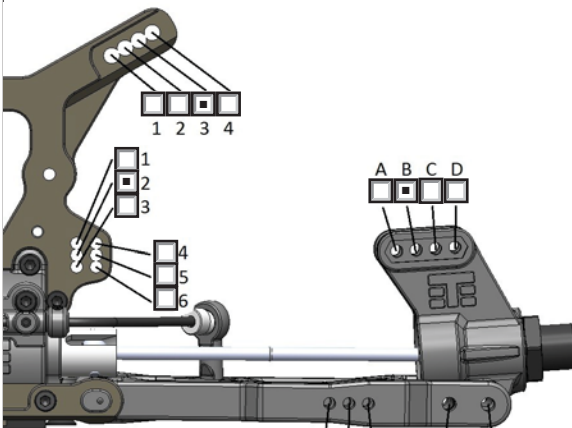
SHOCKS

	Front	Rear
Piston	kyo 1.3 8hole	kyo 1.3 8hole
Oil	37.5	30
Bladder	stock	stock
Spring	kyo light blue	kyo orange
Length/Droop	105 mm	117mm

FRONT



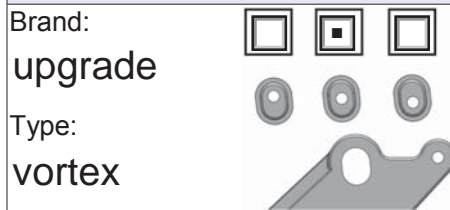
REAR



SUSPENSION

	Front	Rear
Ride Height	28	30
Camber	1.5	1.5
Toe	1	3.5
Sway Bar	2.3	2.4

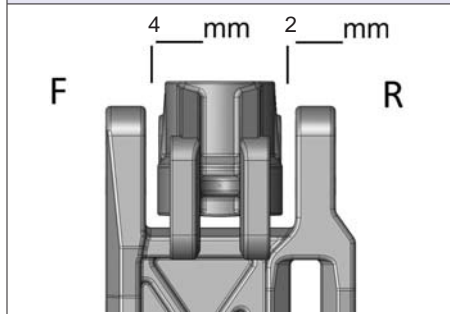
WING



BRACES

Front Middle Rear
 (Front is always recommended)

WHEELBASE



TIRES

	Front	Rear
Brand	aka	aka
Compound	soft	soft
Insert	red	red
Wheel	aka evo	aka evo

DIFFS

Notes:

Front	7	Center	8	Rear	5
-------	---	--------	---	------	---

ELECTRONICS

ESC: tekina rx8
 Battery: ProTek 100c 6400 mah
 Servo(s): ProTek Rc 150T
 Radio: Airtronics m11x
 Motor: Tekin 2050 kv

DRIVETRAIN

Gear Ratio: 17 / stock Spur: Metal Plastic
 Pinion Long Shank
 Traktion Clutch
 Mech. Brake
 Motor Brake
 Shoes:
 Springs:
 Radio Notes:

NOTES:

Light weight balls, LW center drive shaft, LW motor mount. +1mm rear hexes LW outrives, XT Arms