

## SETUP SHEET

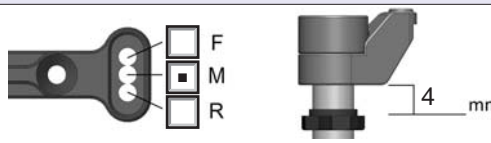
Name: Barry Baker

Date: January 19, 2013

Event: Top Notch Rd 3 OCRC

Track Conditions: Outdoor  Open  Loose/Loamy  Dusty  High Bite  Low Bite  Rough   
 Indoor  Tight  Smooth  Hard Packed  Wet  Dry  Med Bite  Blue Groove

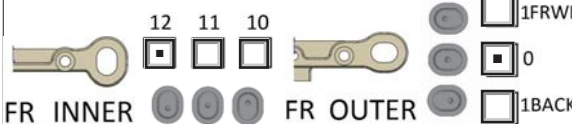
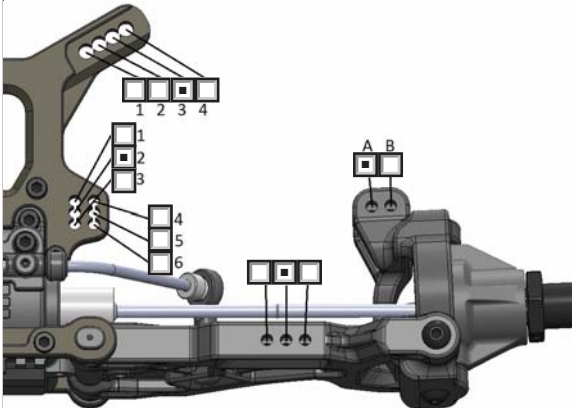
### BUMPSTEER/ACKERMANN/SERVO SAVER



### SHOCKS

|              | Front      | Rear       |
|--------------|------------|------------|
| Piston       | 1.3x8hole  | 1.3x8hole  |
| Oil          | 40losi     | 30losi     |
| Bladder      | stock      | stock      |
| Spring       | Kyo Orange | Kyo Orange |
| Length/Droop | 102        | 120        |

### FRONT



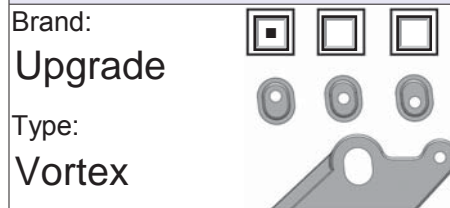
### SUSPENSION

|             | Front | Rear |
|-------------|-------|------|
| Ride Height | 27    | 28   |
| Camber      | -1.5  | -1.5 |
| Toe         | 1out  | 3.5  |
| Sway Bar    | 2.4   | 2.6  |

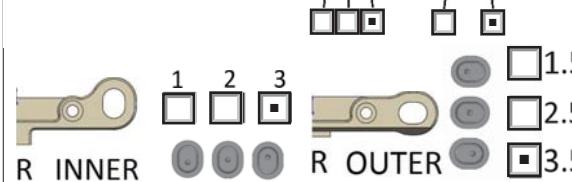
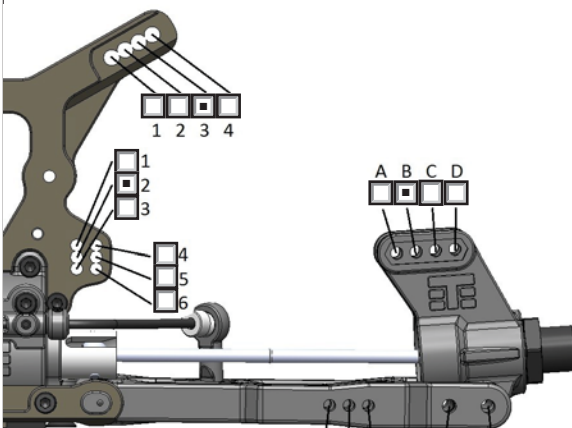
### TIRES

|          | Front        | Rear         |
|----------|--------------|--------------|
| Brand    | AKA Wishbone | AKA Wishbone |
| Compound | Clay         | Clay         |
| Insert   | AKA Red      | AKA Red      |
| Wheel    | AKA          | AKA          |

### WING



### REAR

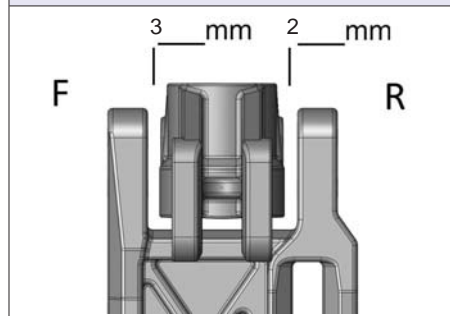


### BRACES

Front  Middle  Rear  
 (Front is always recommended)

### Notes:

### WHEELBASE



### DIFFS

|       |    |        |    |      |    |
|-------|----|--------|----|------|----|
| Front | 5k | Center | 5k | Rear | 5k |
|-------|----|--------|----|------|----|

### ELECTRONICS

ESC: LRP IX8  
 Battery: ProTek RC 4100  
 Servo(s): ProTek RC  
 Radio: Airtronics M11X  
 Motor: LRP Dynamic 8 2200

### DRIVETRAIN

Gear Ratio: 16 / 44      Spur:  Metal  Plastic  
 Pinion       Long Shank  
 Traktion       Clutch  
 Mech. Brake  
 Motor Brake  
 Radio Notes: LRP Settings 0-1-2-2 Brake EPA set to 85%

### NOTES:

Steering balls flipped upside down on the steering block with all 4 washers on top.