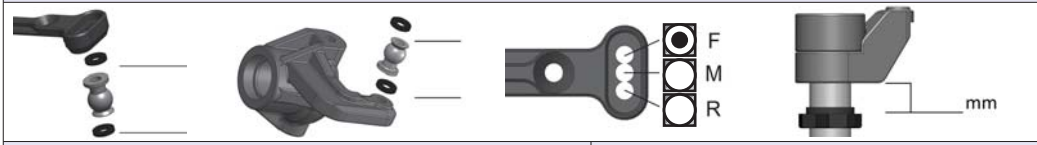


## SETUP SHEET

Name: \_\_\_\_\_ Date: \_\_\_\_\_ Event: \_\_\_\_\_

Track Conditions: Outdoor  Open  Loose/Loamy  Dusty  High Bite  Low Bite  Rough   
 Indoor  Tight  Smooth  Hard Packed  Wet  Dry  Med Bite  Blue Groove

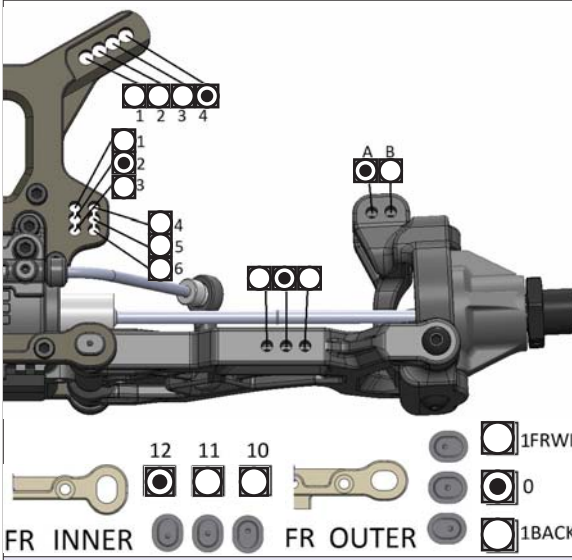
### BUMPSTEER/ACKERMANN/SERVO SAVER



### SHOCKS

	Front	Rear
Piston		
Oil		
Bladder		
Spring		
Length/ Droop		

### FRONT



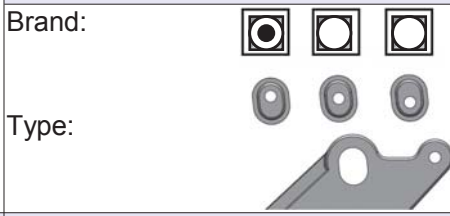
### SUSPENSION

	Front	Rear
Ride Height		
Camber		
Toe		
Sway Bar		

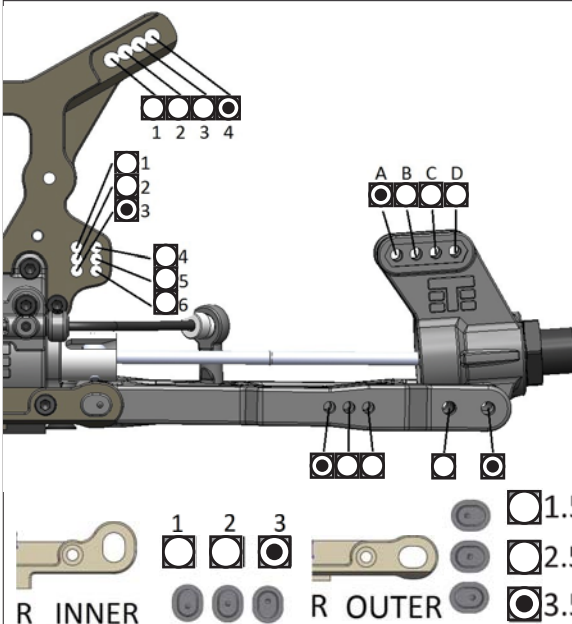
### TIRES

	Front	Rear
Brand		
Compound		
Insert		
Wheel		

### WING



### REAR

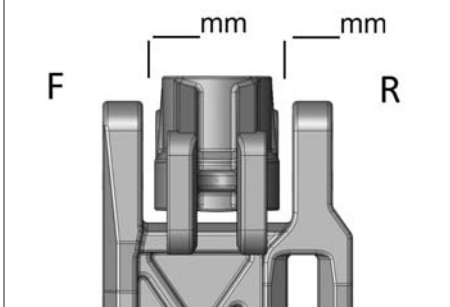


### BRACES

Front  Middle  Rear  
 (Front is always recommended)

### Notes:

### WHEELBASE



### DIFFS

Front	Center	Rear

### ELECTRONICS

ESC: \_\_\_\_\_  
 Battery: \_\_\_\_\_  
 Servo(s): \_\_\_\_\_  
 Radio: \_\_\_\_\_  
 Motor: \_\_\_\_\_

### DRIVETRAIN

Gear Ratio: \_\_\_\_\_ / \_\_\_\_\_

Pinion  Long Shank  
 Traktion  Clutch

Mech. Brake  Motor Brake

Spur:  Metal  Plastic

Shoes: \_\_\_\_\_  
 Springs: \_\_\_\_\_

Radio Notes: \_\_\_\_\_

### NOTES:

\_\_\_\_\_

\_\_\_\_\_

\_\_\_\_\_