

SETUP SHEET

Name: John Ho Date: August 26th, 2012 Event: FEMCA 2012, Pattaya, Thailand

Track Conditions: Outdoor Open Loose/Loamy Dusty High Bite Low Bite Rough
 Indoor Tight Smooth Hard Packed Wet Dry Med Bite Blue Groove

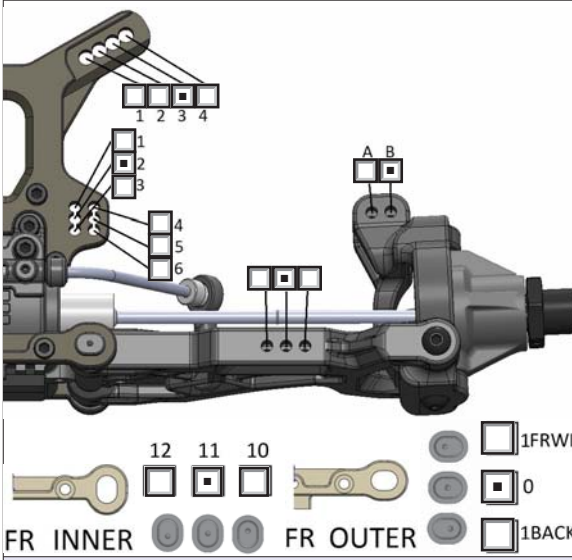
BUMPSTEER/ACKERMANN/SERVO SAVER



SHOCKS

	Front	Rear
Piston	1.1x10	1.1x10
Oil	500	425
Bladder	Grey	Grey
Spring	Tekno Red	Kyosho Light Blue
Length/Droop	Full droop minus 2mm	Full droop minus 2mm

FRONT



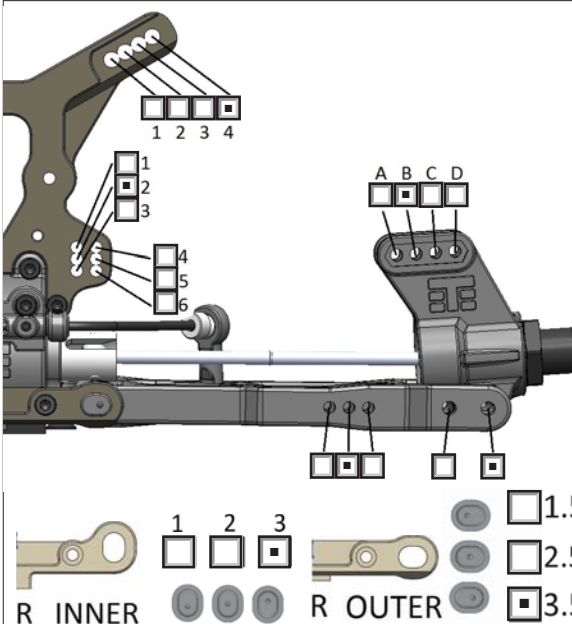
SUSPENSION

	Front	Rear
Ride Height	23mm	25mm
Camber	3 degrees	4 degrees
Toe	1 degree out	3 degree in
Sway Bar	2.8mm	2.6mm

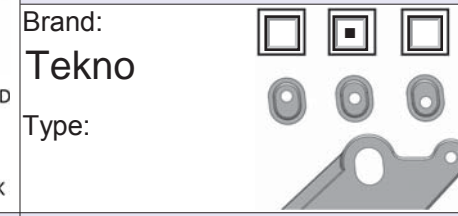
TIRES

	Front	Rear
Brand	Sweep	Sweep
Compound	blue	blue
Insert	pink	pink
Wheel	Sweep	Sweep

REAR



WING

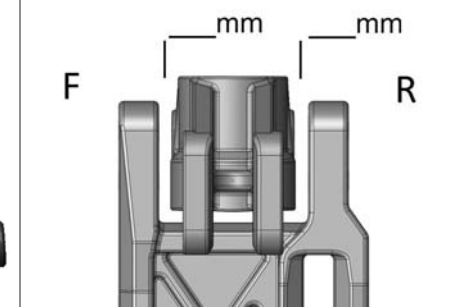


BRACES

Front Middle Rear
 (Front is always recommended)

Notes: Micro Contacts

WHEELBASE



DIFFS

Front	5	Center	7	Rear	3
-------	---	--------	---	------	---

ELECTRONICS

ESC: Tekin RX8
 Battery: H-Energy 6200
 Servo(s): Futaba BLS351
 Radio: Sanwa MT4
 Motor: Tekin T8 2050kv

DRIVETRAIN

Gear Ratio: 44 / 18
 Pinion Long Shank
 Traktion Clutch
 Mech. Brake Motor Brake

Spur: Metal Plastic
 Shoes:
 Springs:
 Radio Notes: Brake set at 65% max

NOTES:

High traction track with sugar water apply. Very hard on tires.