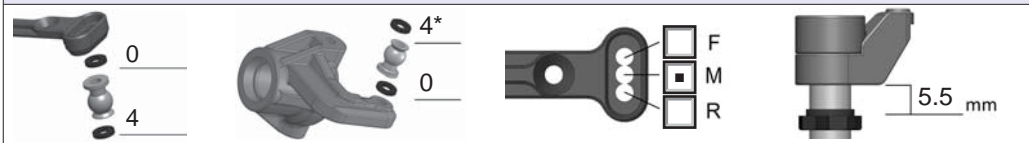


## SETUP SHEET

Name: PRES ILOG      Date: 8-24-12      Event: SDRCLUB RACE

Track Conditions:    Outdoor  Open  Loose/Loamy  Dusty  High Bite  Low Bite  Rough   
 Indoor  Tight  Smooth  Hard Packed  Wet  Dry  Med Bite  Blue Groove

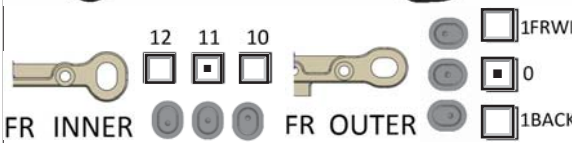
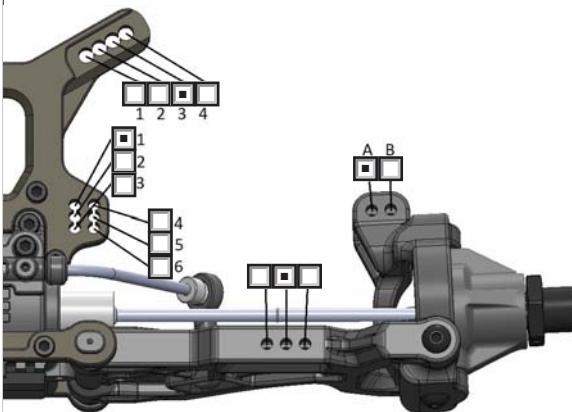
### BUMPSTEER/ACKERMANN/SERVO SAVER



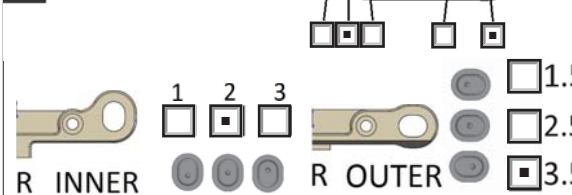
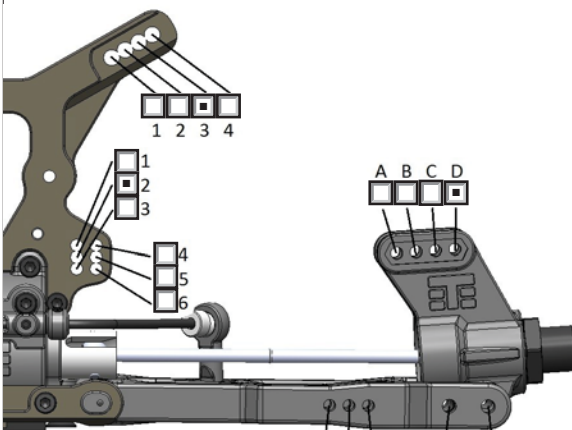
### SHOCKS

	Front	Rear
Piston	stock	stock
Oil	30	32.5
Bladder	stock	stock
Spring	TEKNO PINK	TEKNO ORANGE
Length/Droop	102	118

### FRONT



### REAR



### SUSPENSION

	Front	Rear
Ride Height	26	28
Camber	1.5	2
Toe	1 out	3.5
Sway Bar	2.2	2.3

### WING

Brand:  Tekno stock

Type:  high downforce

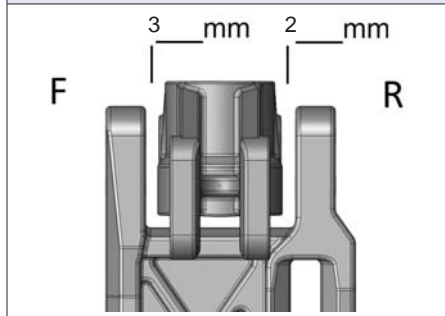
### TIRES

	Front	Rear
Brand	AKA	AKA
Compound	CLAY WISHBONE	CLAY WISHBONE
Insert	AKA Black grooved	AKA Black grooved
Wheel	AKA Evo	AKA Evo

### BRACES

Front  Middle  Rear  
 (Front is always recommended)

### WHEELBASE



### Notes:

### DIFFS

Front	4	Center	5	Rear	2
-------	---	--------	---	------	---

### ELECTRONICS

ESC: Tekin RX8  
 Battery: TRACKSTAR FUEL CELL  
 Servo(s): Hitec 7955  
 Radio: KO PROPO  
 Motor: Tekin 2050kv

### DRIVETRAIN

Gear Ratio: 16 / 44      Spur:  Metal  Plastic

Pinion       Long Shank  
 Traktion       Clutch

Mech. Brake      Shoes:  
 Motor Brake      Springs:

Radio Notes: **-20% THROTTLE EXPO**

### NOTES:

\*Pivot ball on the steering blocks flipped so they sit lower.

4S USING TWO SHORTY PACKS POSITIONED FULL FORWARD