

SETUP SHEET

Name: Patrick See Date: 11-1-12 Event: SDRC

Track Conditions: Outdoor Open Loose/Loamy Dusty High Bite Low Bite Rough
 Indoor Tight Smooth Hard Packed Wet Dry Med Bite Blue Groove

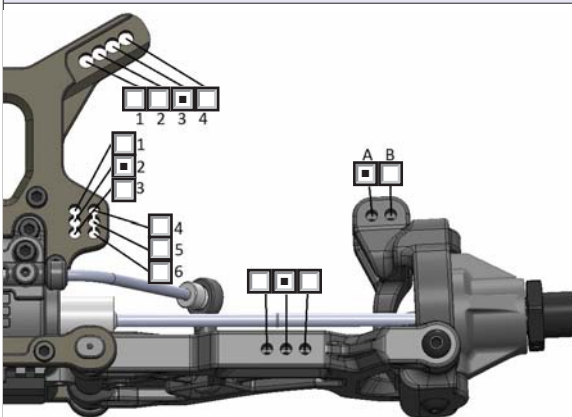
BUMPSTEER/ACKERMANN/SERVO SAVER



SHOCKS

	Front	Rear
Piston	stock	stock
Oil	37.5	32.5
Bladder	stock	stock
Spring	pink	orange
Length/Droop	99mm	118mm

FRONT

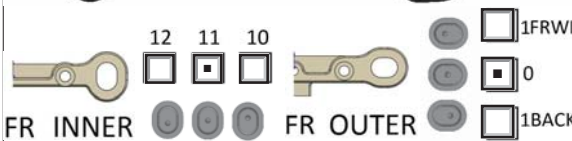


SUSPENSION

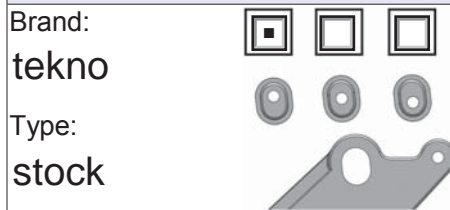
	Front	Rear
Ride Height	27	29
Camber	-1.5	-1.5
Toe	-1	
Sway Bar	stock	stock

TIRES

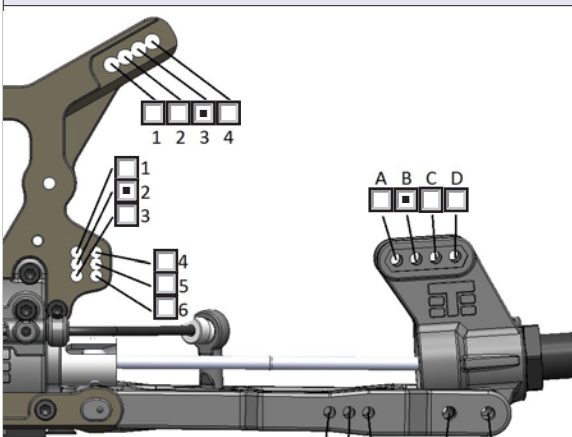
	Front	Rear
Brand	HB beams	HB beams
Compound	pink	pink
Insert	aka red	aka red
Wheel	jc inverse	jc inverse



WING



REAR

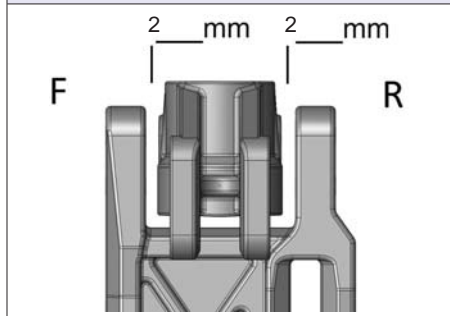


BRACES

Front Middle Rear
 (Front is always recommended)

Notes:

WHEELBASE



DIFFS

Front	Center	Rear
5	7	3

ELECTRONICS

ESC: orion
 Battery: 4s
 Servo(s): 7955tg
 Radio: airtronics
 Motor: tekin 2050

DRIVETRAIN

Gear Ratio: _____ / _____ Spur: Metal Plastic

Pinion Long Shank
 Traktion Clutch

Mech. Brake Shoes:
 Motor Brake Springs:

Radio Notes:

NOTES: