

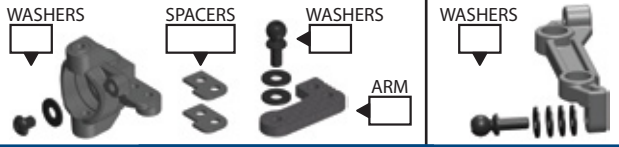
Name: _____ Date: _____ Event: _____

Track: INDOOR OUTDOOR Size: SMALL MEDIUM LARGE Traction: LOW MEDIUM HIGH

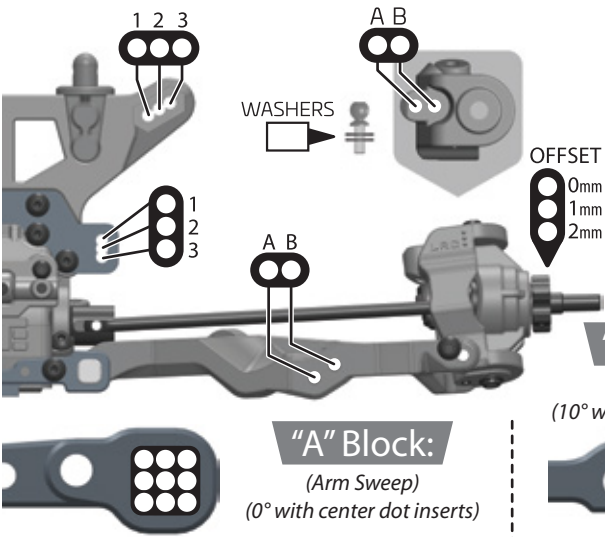
Surface: SMOOTH BUMPY RUTTED Type: LOOSE / LOAMY HARD PACKED BLUE GROOVE CLAY ASTRO

Condition: DUSTY DRY WET MUDDY

Steering Stop/Arm Settings/Ackerman:



Front End:



Suspension:

RIDE HEIGHT: _____ CAMBER: _____

CASTER: _____ SWEEP: _____

KICK UP: _____ TOE: _____

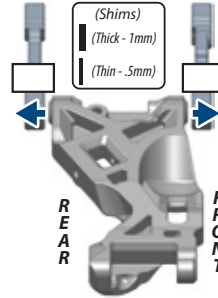
SWAY BAR: _____ DROOP: _____

Shocks:

OIL: _____ BRAND: _____

PISTON: _____ SPRING: _____

REBOUND: _____ BUILD: _____



Differential Oil:

FRONT CENTER REAR

Drivetrain:

PINION / SPUR: _____ (teeth)

Equipment:

MOTOR: _____

ESC: _____

BATTERY: _____

RADIO: _____

SERVO: _____

Chassis Braces:

REAR-SHORT: REAR-LONG:

Tires / Wheels:

BRAND / TREAD: _____

COMPOUND: _____

INSERT: _____

WHEEL: _____

NOTES: _____

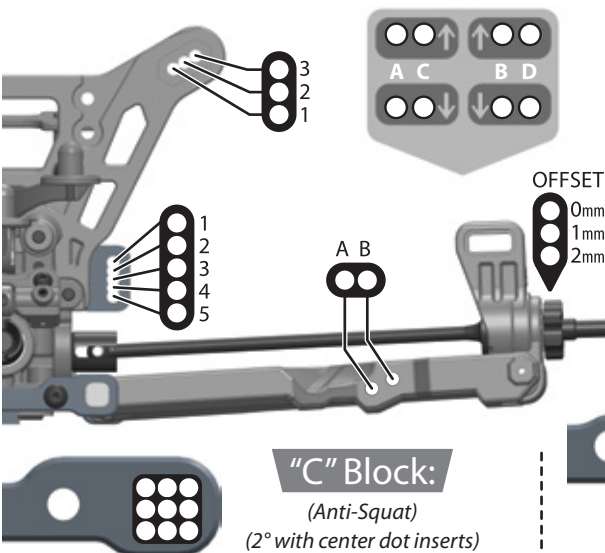
Body / Wing:

BODY MAKE: _____

WING MAKE: _____

Notes:

Rear End:



Suspension:

RIDE HEIGHT: _____ CAMBER: _____

ANTI-SQUAT: _____ TOE: _____

SWAY BAR: _____ DROOP: _____

Shocks:

OIL: _____ BRAND: _____

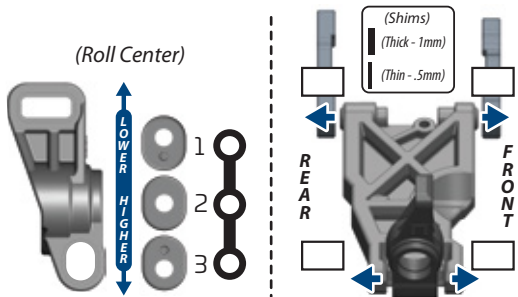
PISTON: _____ SPRING: _____

REBOUND: _____ BUILD: _____

"D" Block:

(Rear Toe)
(2° with center dot inserts)

Rear Hub / Wheelbase:



Wing:

