

Name: \_\_\_\_\_ Date: \_\_\_\_\_ Event: \_\_\_\_\_

Track: INDOOR  OUTDOOR  Size: SMALL  MEDIUM  LARGE  Traction: LOW  MEDIUM  HIGH

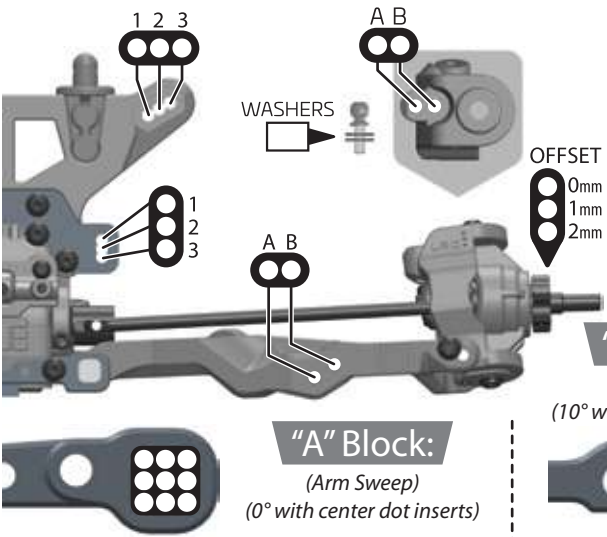
Surface: SMOOTH  BUMPY  RUTTED  Type: LOOSE / LOAMY  HARD PACKED  BLUE GROOVE  CLAY  ASTRO

Condition: DUSTY  DRY  WET  MUDDY

## Steering Stop/Arm Settings/Ackerman:



### Front End:



### Suspension:

RIDE HEIGHT: \_\_\_\_\_ CAMBER: \_\_\_\_\_

CASTER: \_\_\_\_\_ SWEEP: \_\_\_\_\_

KICK UP: \_\_\_\_\_ TOE: \_\_\_\_\_

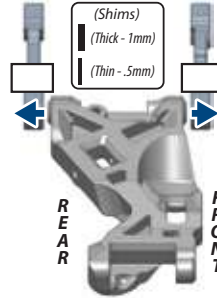
SWAY BAR: \_\_\_\_\_ DROOP: \_\_\_\_\_

### Shocks:

OIL: \_\_\_\_\_ BRAND: \_\_\_\_\_

PISTON: \_\_\_\_\_ SPRING: \_\_\_\_\_

REBOUND: \_\_\_\_\_ BUILD: \_\_\_\_\_



### Differential Oil:

FRONT CENTER REAR

### Drivetrain:

PINION / SPUR: \_\_\_\_\_ (teeth)

### Equipment:

MOTOR: \_\_\_\_\_

ESC: \_\_\_\_\_

BATTERY: \_\_\_\_\_

RADIO: \_\_\_\_\_

SERVO: \_\_\_\_\_

### Chassis Braces:

REAR-SHORT:  REAR-LONG:

### Tires / Wheels:

BRAND / TREAD: \_\_\_\_\_

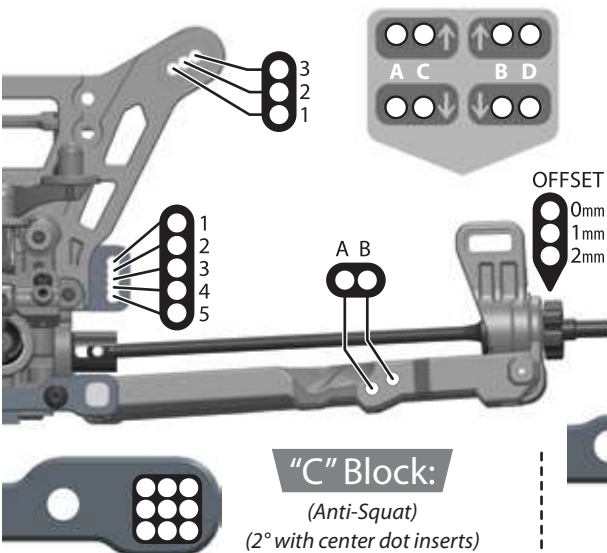
COMPOUND: \_\_\_\_\_

INSERT: \_\_\_\_\_

WHEEL: \_\_\_\_\_

NOTES: \_\_\_\_\_

### Rear End:



### Suspension:

RIDE HEIGHT: \_\_\_\_\_ CAMBER: \_\_\_\_\_

ANTI-SQUAT: \_\_\_\_\_ TOE: \_\_\_\_\_

SWAY BAR: \_\_\_\_\_ DROOP: \_\_\_\_\_

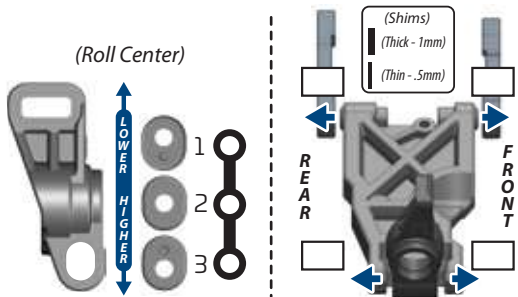
### Shocks:

OIL: \_\_\_\_\_ BRAND: \_\_\_\_\_

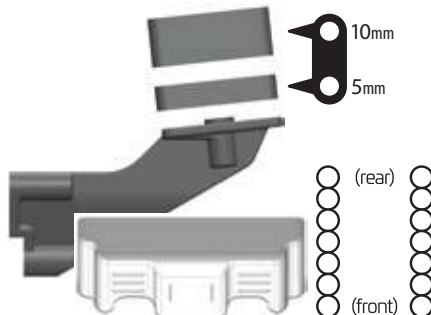
PISTON: \_\_\_\_\_ SPRING: \_\_\_\_\_

REBOUND: \_\_\_\_\_ BUILD: \_\_\_\_\_

### Rear Hub / Wheelbase:



### Wing:



### Body / Wing:

BODY MAKE: \_\_\_\_\_

WING MAKE: \_\_\_\_\_

### Notes: